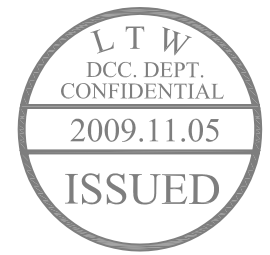
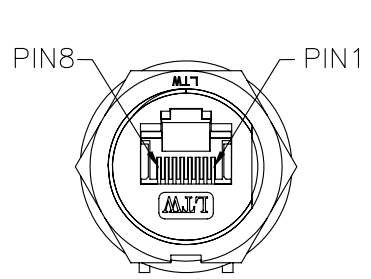
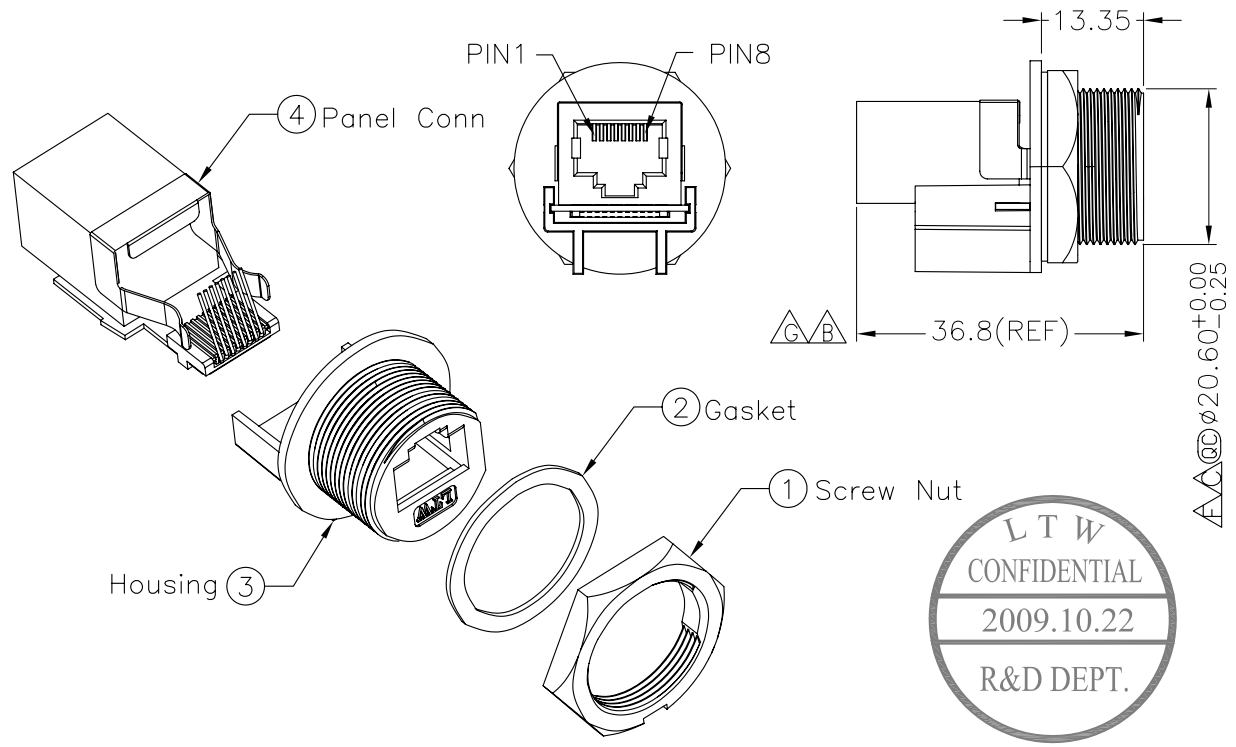
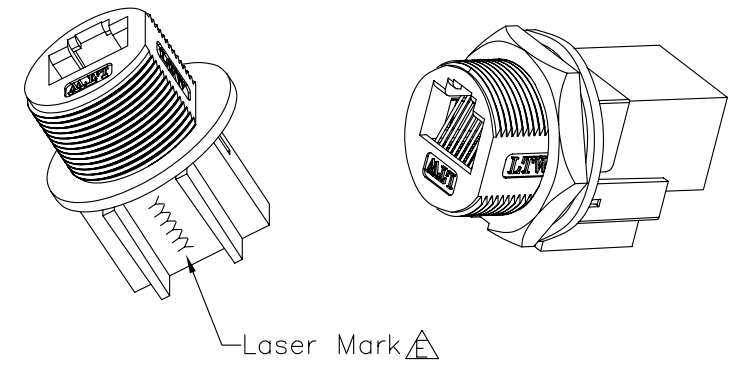
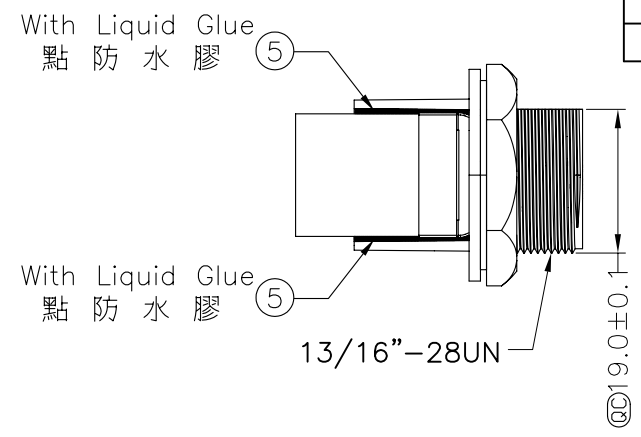
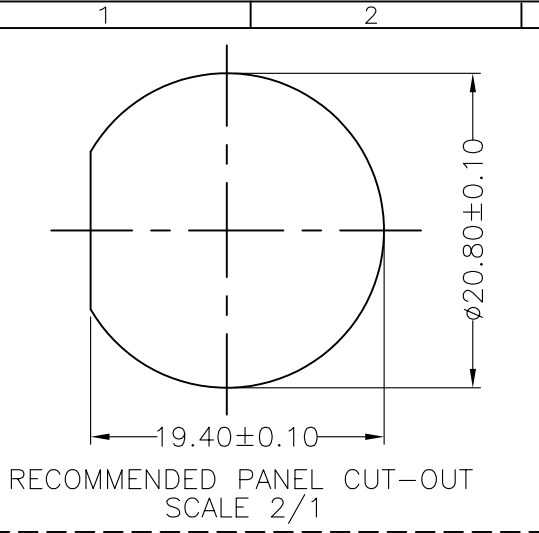
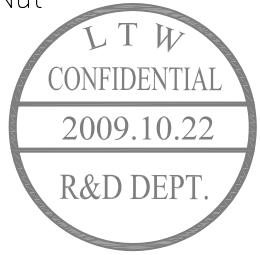


THIS DOCUMENT IS SUBJECT TO CHANGE WITHOUT NOTICE. IT IS CONFIDENTIAL AND A PROPERTY OF LTW. DISCLOSURE TO THIRD PARTY HAS TO BE AUTHORIZED BY LTW.

REV.	ECN NO.	DATE	SIGN	DESCRIPTION
E	LEN-860093	2008/06/12	Vicky	Add laser mark.
F	LEN-8B0025	2008/10/30	Li Xiu Zhi	Change $\phi 20.60+0.05/-0.10$ to $20.60+0.00/-0.25$
G	LEN-9B0031	2009/10/22	Li Xiu Zhi	Change 36.8 to 36.8(REF)



- Note:
- * \textcircled{C} Important Dimension.
 - * Waterproof Rate : IP67
 - * Nut: Nylon+GF,Black
 - * Gasket: EPDM,Black
 - * Housing: Nylon+GF,Black
 - * Pin: Brass,Gold Plated
 - * PCB: FR-4
 - * Jack: PBT Polyester UL 94V-0
 - * Sheet: Brass, Nickel Plated
 - \triangle * For Panel Thickness Max: 2.8mm
 - \triangle * Use with Waterproof cap or Dust cap For Panel Thickness Max: 1.6mm
 - \triangle * Laser Mark: 工單號碼(6碼)
字型 Simplex; 字高 2mm.



UNIT : mm		TITLE RJ45 Shielded Jack
TOLERANCE .X ±0.25 .XX ±0.1 .XXX ±0.05 ANGLES ±1°	SCALE Free	SHEET 1 of 1
REV. G	SIZE A4	\textcircled{C} : Inspection Item

LTW
亮泰企業股份有限公司

ITEM NO LTWRJS-5EPFFJ-SC7002	DRAWN BY Li Xiu Zhi	DATE 2009/10/22
DWG NO LTWRJS-5EPFFJ-SC7002	CHECKED BY Sunny	DATE 2009/10/22
CUSTOMER	APPROVED BY Lion	DATE 2009/11/04