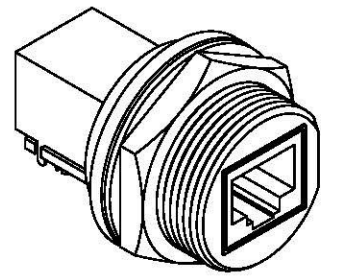
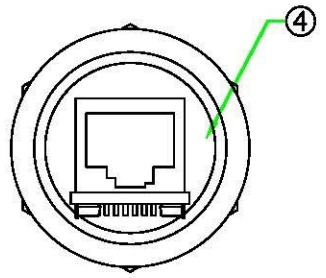
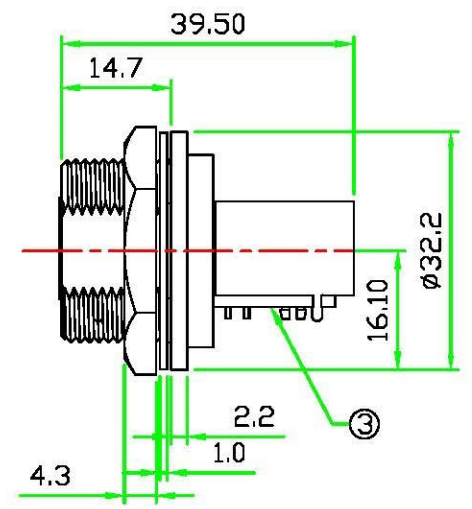
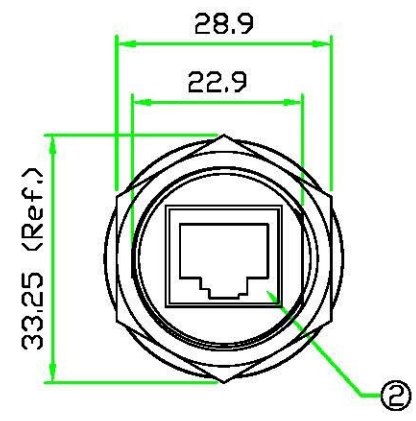
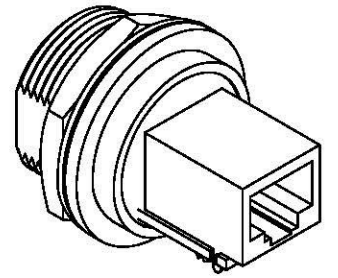
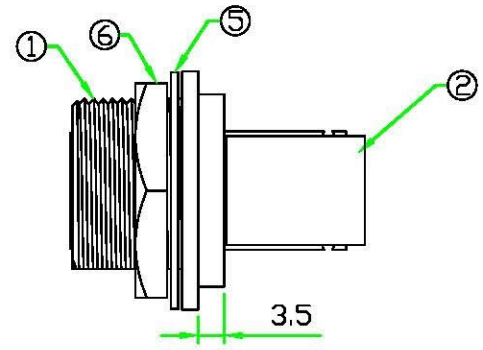
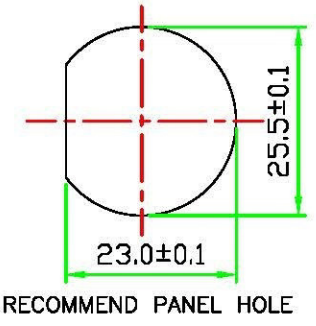


| REV | DESCRIPTION | DATE        |
|-----|-------------|-------------|
| A   | ISSUE       | Mar/07/2014 |
|     |             |             |
|     |             |             |



**RoHS** 原型號為:RJ45D-PJCRJ

| 6   | HEX NUT   | NYLON+GF.                                | BLACK | 1    | CDA-HNUT (42-135-N3)  |
|-----|-----------|--|-------|------|-----------------------|
| 5   | GASKET    | EPDM.                                    | BLACK | 1    | CDA-G                 |
| 4   | GLUE      | SEALED GLUE.                             | BLACK | 1    |                       |
| 3   | PCB       | FR4, DOUBLE SIDE 1.6mm THICKNESS.        |       | 1    | RJ45D-PCB             |
| 2   | RJ45 JACK | RJ45 JACK WITH SHIELD. RIGHT ANGLE TYPE. |       | 2    | 9740-8814-SE-B        |
| 1   | CONNECTOR | RJ45 JACK CONNECTOR BODY. NYLON+GF.      | BLACK | 1    | RJ45D-PJC (82-135-N5) |
| No. | PART NAME | DESCRIPTION                              | COLOR | Q'TY | REMARKS               |

**Allconnectors**  
www.allconnectors.de  
 Tel.: 0049 711 7006003  
 70794 Filderstadt - Germany      info@allconnectors.de  
 Fax: 0049 711 7006004  
 Kettenerstr. 25

**UNIT:** mm      **SCALE:** 1:1

**TITLE:** RJ45 JACK D Size Panel Connector  
 Screw Type Round Flange Rear Mount  
 With Right Angle RJ45 Shield Jack

**UNLESS OTHERWISE SPECIFIED TOLERANCES:**  
 X ±0.25    XX ±0.1  
 XXX ±0.05    ANGLE ±1°

**REV. SHEET:** A 1/1

**P/N:** RJ45D-P3CSJ      **DR. Patty**  
**DWG.NO:** RJ45D-P3CSJ      **CH. ERIC**  
**AP.**