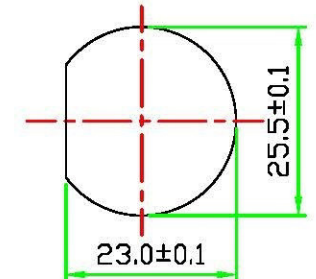
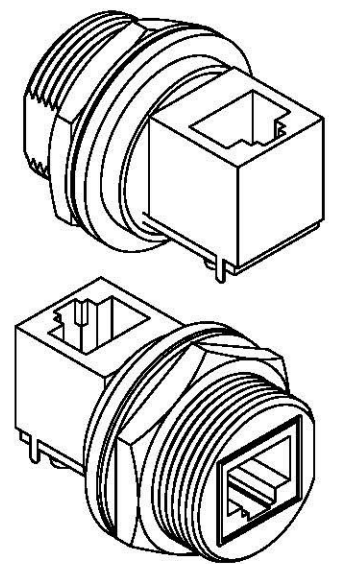
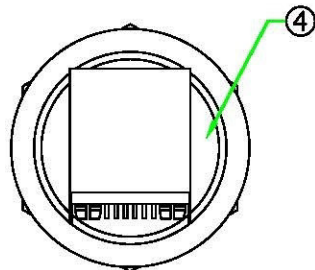
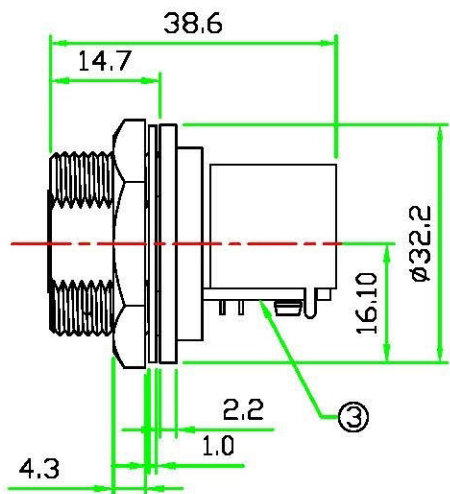
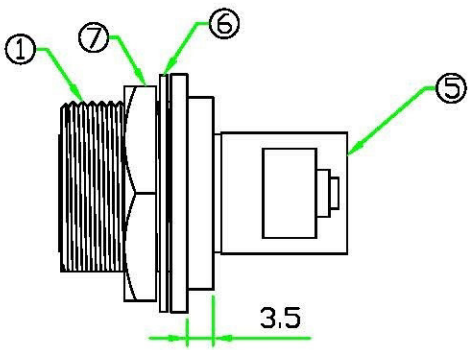
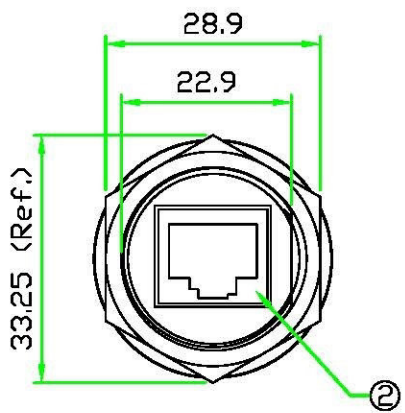


REV	DESCRIPTION	DATE
A	ISSUE	Mar/07/2014



RECOMMEND PANEL HOLE



**RoHS** 原型號為:RJ45D-PJCSJ

7	HEX NUT	NYLON+GF.	BLACK	1	CDA-HNUT (42-135-N3)
6	GASKET	EPDM.	BLACK	1	CDA-G
5	RJ45 JACK	RJ45 JACK CONNECTOR WITH SHIELD. STRAIGHT TYPE.		1	9646-8814-SA
4	GLUE	SEALED GLUE.	BLACK	1	
3	PCB	FR4, DOUBLE SIDE 1.6mm THICKNESS.		1	RJ45D-PCB
2	RJ45 JACK	RJ45 JACK WITH SHIELD. RIGHT ANGLE TYPE.		1	9740-8814-SE-B
1	CONNECTOR	RJ45 JACK CONNECTOR BODY. NYLON+GF.	BLACK	1	RJ45D-PJC (82-135-N5)
No.	PART NAME	DESCRIPTION	COLOR	Q'TY	REMARKS

**Allconnectors**  
www.allconnectors.de  
 Tel.: 0049 711 7006000  
 70/94 Hildersdorf, Germany      Info@allconnectors.de  
 Fax: 0049 711 7006004  
 Kottmarstr. 25

	UNIT: mm	<b>TITLE :</b> RJ45 JACK D Size Panel Connector Screw Type Round Flange Rear Mount With Straight Angle RJ45 Shield Jack
<b>SCALE</b>	1:1	
<b>UNLESS OTHERWISE SPECIFIED TOLERANCES:</b> x ±0.25    xx ±0.1 xxx ±0.05    ANGLE ±1°		<b>P/N:</b> RJ45D-P3CRJ
<b>REV.</b>	<b>SHEET</b>	
A	1/1	<b>DWG.NO:</b> RJ45D-P3CRJ

<b>DR.</b>	Patty
<b>CH.</b>	ERIC
<b>AP.</b>	