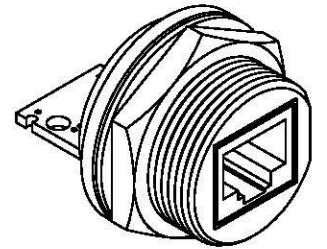
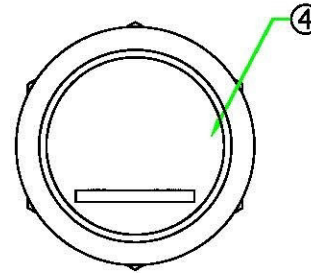
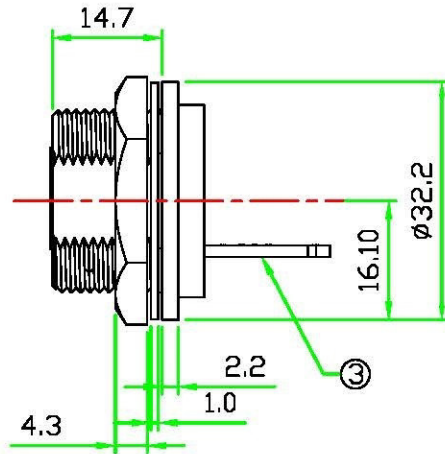
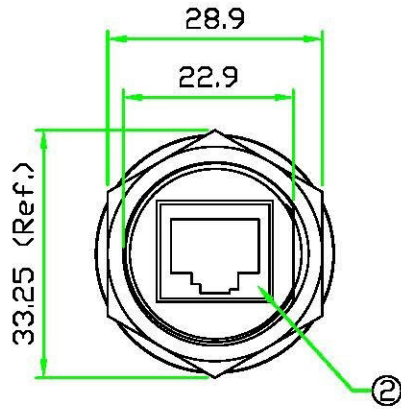
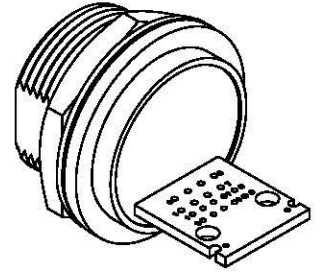
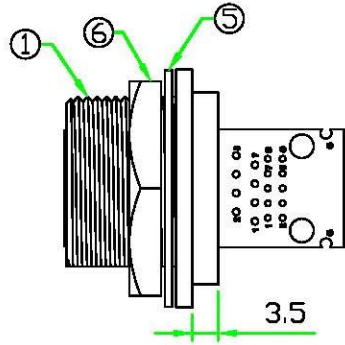
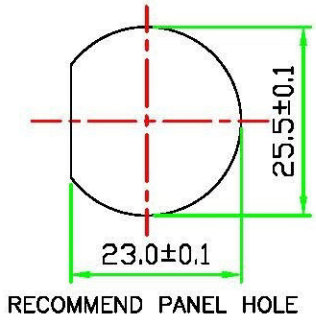


REV	DESCRIPTION	DATE
A	ISSUE	Mar/07/2014



RoHS 原型號為:RJ45D-PJC

No.	PART NAME	DESCRIPTION	COLOR	Q'TY	REMARKS
6	HEX NUT	NYLON+GF.	BLACK	1	CDA-HNUT (42-135-N3)
5	GASKET	EPDM.	BLACK	1	CDA-G
4	GLUE	SEALED GLUE.	BLACK	1	
3	PCB	FR4, DOUBLE SIDE 1.6mm THICKNESS.		1	RJ45D-PCB
2	RJ45 JACK	RJ45 JACK WITH SHIELD. RIGHT ANGLE TYPE.		1	9740-8814-SE-B
1	CONNECTOR	RJ45 JACK CONNECTOR BODY. NYLON+GF.	BLACK	1	RJ45D-PJC (82-135-N5)

UNIT: mm SCALE 1:1		TITLE : RJ45 JACK D Size Panel Connector Screw Type Round Flange Rear Mount With PCB Assembly	
UNLESS OTHERWISE SPECIFIED TOLERANCES: x ±0.25 xx ±0.1 xxx ±0.05 ANGLE ±1°X		DR. Patty CH. ERIC AP.	
REV. A	SHEET 1/1		

All Connectors
 www.allconnectors.de info@allconnectors.de
 Tel.: 0049 711 7009503 Fax: 0049 711 7009504
 70791 Filderstadt - Germany Kettenerstr. 25