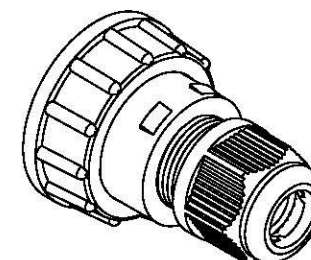
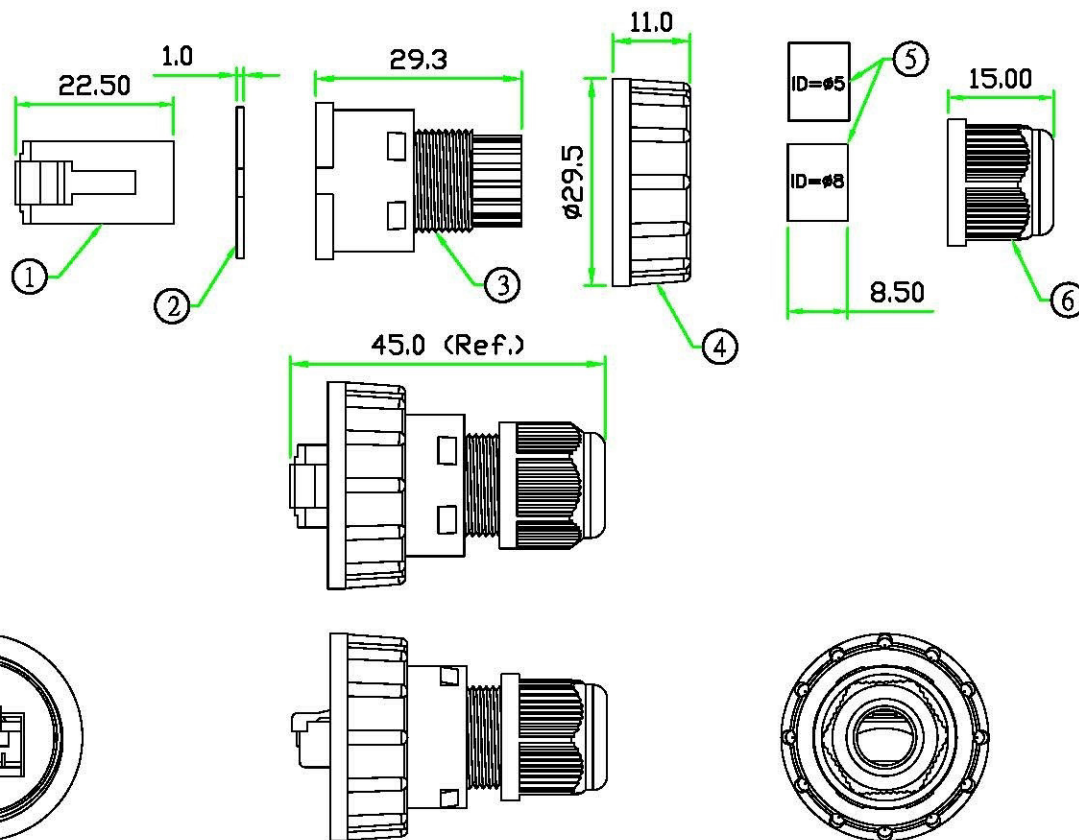
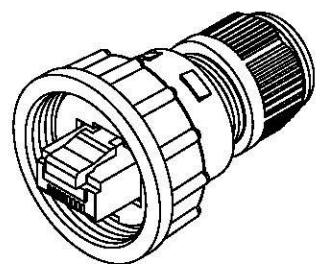


PROPRIETARY AND CONFIDENTIAL
 THE INFORMATION CONTAINED IN THIS DRAWING IS THE SOLE PROPERTY OF HTP ASIA TECHNOLOGY CO., LTD. .
 ANY REPRODUCTION IN PART OR AS A WHOLE WITHOUT THE WRITTEN PERMISSION OF HTP ASIA TECHNOLOGY CO., LTD. IS PROHIBITED.

REV	DESCRIPTION	DATE
A	ISSUE	JUL/25/2011



RoHS

No.	PART NAME	DESCRIPTION	COLOR	Q'TY	REMARKS
6	SCREW	PRESSING SCREW, NYLON.	BLACK	1	70-135
5	SEAL	SANTOPRENE. for cable OD: 3~5mm & 5~8mm.	BLACK	2	71-135
4	SCREW NUT	SCREW NUT, NYLON+GF.	BLACK	1	CDARJ45D-SN (85-135-N1)
3	SLEEVE	CABLE SLEEVE, NYLON.	BLACK	1	RJ45D-HOOD (69-135-N1)
2	GASKET	SANTOPRENE.	BLACK	1	RJ45D-G (140-135)
1	RJ-45 PLUG	RJ-45 8P8C SHIELDED PLUG.		1	S7801R8P8C03A -1.0

Allconnectors	
<small>www.allconnectors.de info@allconnectors.de TEL: 0049 711 7099503 FAX: 0049 711 7099504 70796 Filderstadt, Germany Kottbomsstr. 25</small>	
UNIT: mm SCALE: 1:1	TITLE : RJ45 Plug D Size Screw Type Field Installable Plug
UNLESS OTHERWISE SPECIFIED TOLERANCES: X ±0.25 XX ±0.1 XXX ±0.05 ANGLE ±1°X	P/N: RJ45D-P108SA DR. Michael CH. ERJC
REV: A SHEET: 1/1	DWG.NO: RJ45D-P108SA AP.