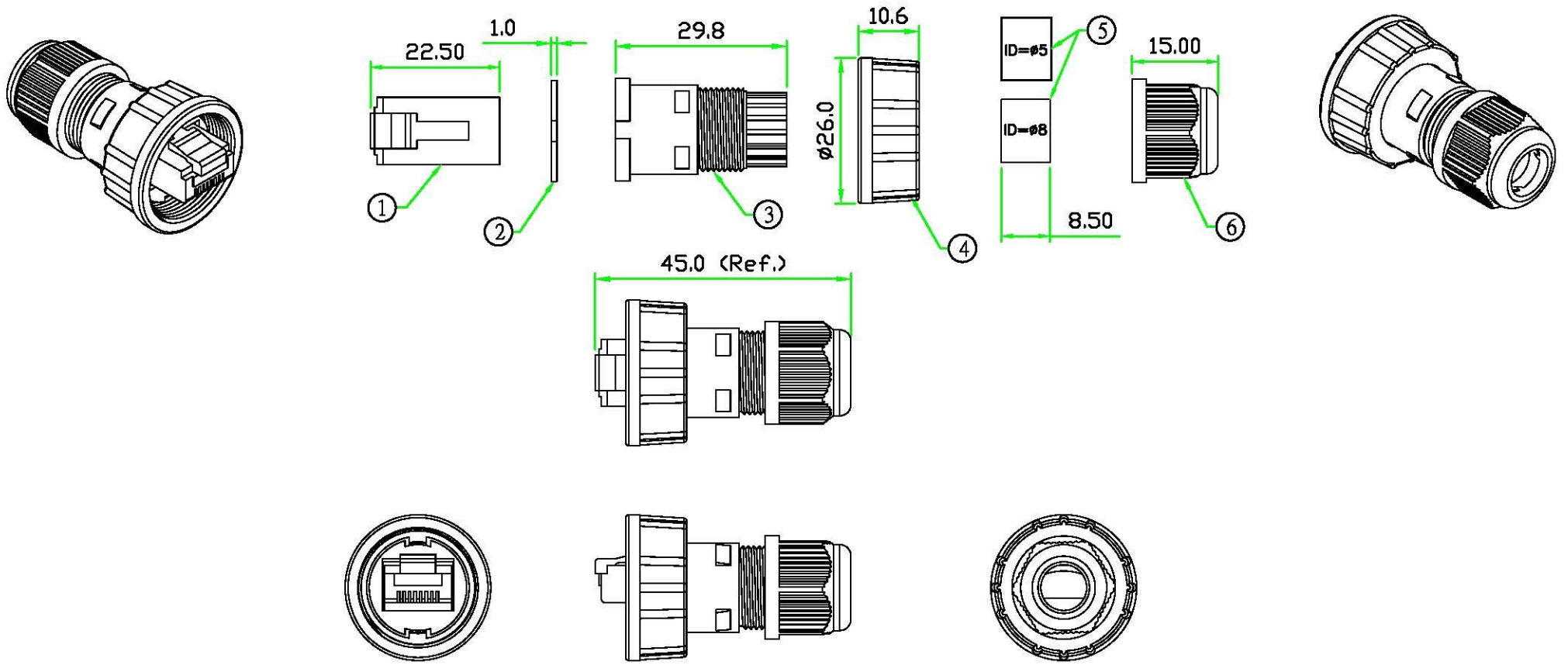


PROPRIETARY AND CONFIDENTIAL
 THE INFORMATION CONTAINED IN THIS DRAWING IS THE SOLE PROPERTY OF HTP ASIA TECHNOLOGY CO., LTD. .
 ANY REPRODUCTION IN PART OR AS A WHOLE WITHOUT THE WRITTEN PERMISSION OF HTP ASIA TECHNOLOGY CO., LTD. IS PROHIBITED.

RoHS

REV	DESCRIPTION	DATE
A	ISSUE	MAR/11/2014



6	SCREW	PRESSING SCREW, NYLON.	BLACK	1	70-135
5	SEAL	SANTOPRENE. for cable OD: 3~5mm & 5~8mm.	BLACK	2	71-135
4	SCREW NUT	SCREW NUT, NYLON+GF.	BLACK	1	70-135 -N6
3	SLEEVE	CABLE SLEEVE, NYLON.	BLACK	1	69-135-N2
2	GASKET	RUBBER	BLACK	1	84-135
1	RJ-45 PLUG	RJ-45 8P8C SHIELDED PLUG.		1	
No.	PART NAME	DESCRIPTION	COLOR	Q'TY	REMARKS

Allconnectors
www.allconnectors.de
 info@allconnectors.de
 11173 BREITENBURG
 70194 Kilderstadt - Germany

 UNIT: mm SCALE 1:1	TITLE : RJ45 PLUG C SIZE SCREW TYPE FIELD INSTALLABLE PLUG
UNLESS OTHERWISE SPECIFIED TOLERANCES: X ±0.25 XX ±0.1 XXX ±0.05 ANGLE ±1°X REV. A SHEET 1/1	DR. Patty CH. ERIC AP.