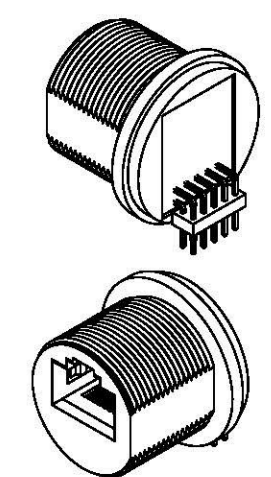
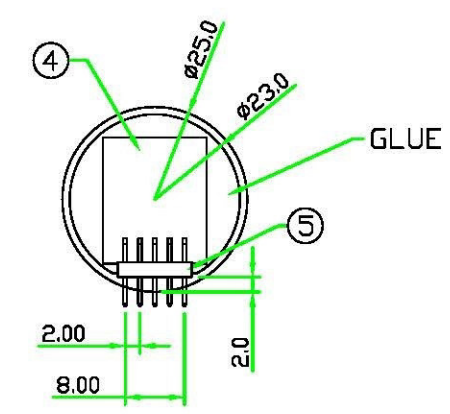
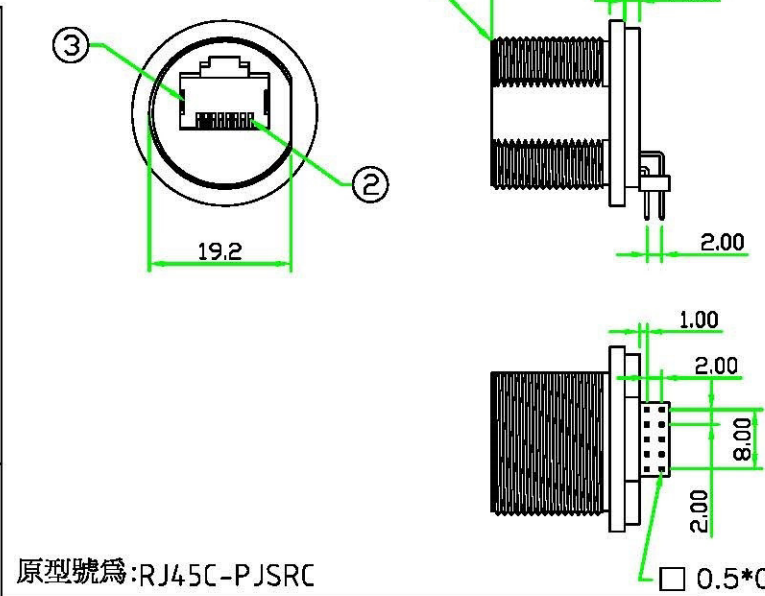
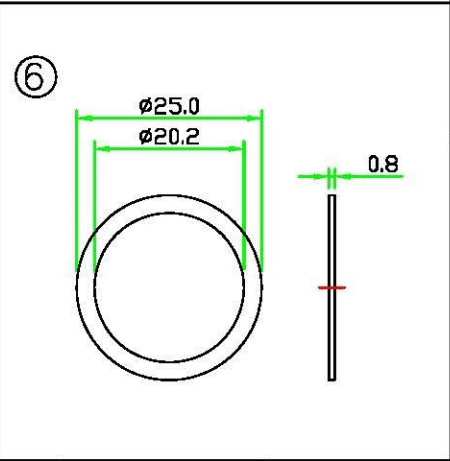
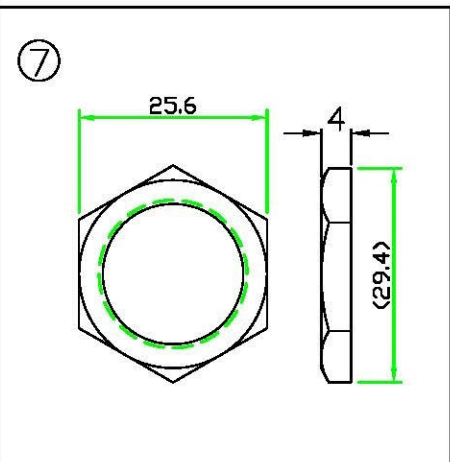


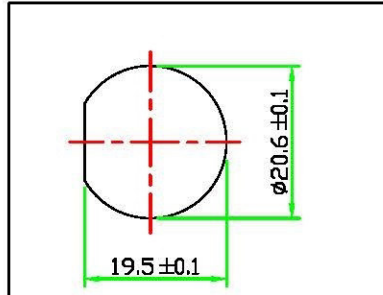
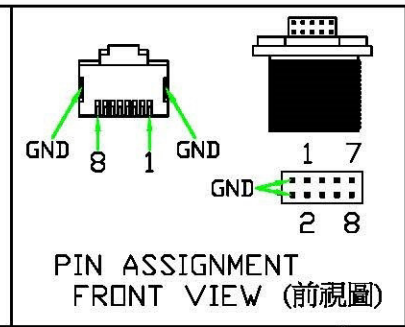
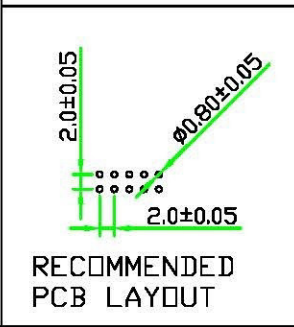
PROPRIETARY AND CONFIDENTIAL
 THE INFORMATION CONTAINED IN THIS DRAWING IS THE SOLE PROPERTY OF HTP ASIA TECHNOLOGY CO., LTD. .
 ANY REPRODUCTION IN PART OR AS A WHOLE WITHOUT THE WRITTEN PERMISSION OF HTP ASIA TECHNOLOGY CO., LTD. IS PROHIBITED.

RoHS

REV	DESCRIPTION	DATE
A	ISSUE	MAR/11/2014



原型號為:RJ45C-PJSRC



No.	PART NAME	DESCRIPTION	COLOR	Q'TY	REMARKS
7	HEX NUT	NYLON+GF.	BLACK	1	RJ45CUSB-NUT (42-135-N6)
6	GASKET	EPDM.	BLACK	1	CCA-G
5	CONNECTOR	R/A PIN HEADER, PITCH 2.0mm, 5P*2ROW.	BLACK	1	2.0PH-52PR
4	PCB	FR4 . DOUBLE SIDE, 1.0mm THICKNESS.		1	RJ45-PCB
3	GROUND	GROUND CONTACT. SUS301.		2	RJ45-PLATE
2	CONTACT	RJ45 PIN CONTACT. Phos. Bronze 50u" gold plating.		8	RJ45J-180
1	CONNECTOR	RJ45 JACK CONNECTOR BODY. NYLON+GF.	BLACK	1	RJ45C-PC (89-136)

Allconnectors
www.allconnectors.de info@allconnectors.de
 tel: +0049 (0)37 2009000 fax: +0049 (0)37 2009004
 70794 Filderstadt - Germany Kellnerstr. 25

UNIT: mm	TITLE : RJ45 JACK C SIZE PANEL CONNECTOR SCREW TYPE ROUND FLANGE 10P RIGHT ANGLE PIN HEADER
SCALE 1:1	P/N: RJ45C-P3C02
UNLESS OTHERWISE SPECIFIED TOLERANCES: x ±0.25 xx ±0.1 xxx ±0.05 ANGLE ±1EX	DR. Patty CH. ERIC
REV. A SHEET 1/1	DWG.NO: RJ45C-P3C02 AP.