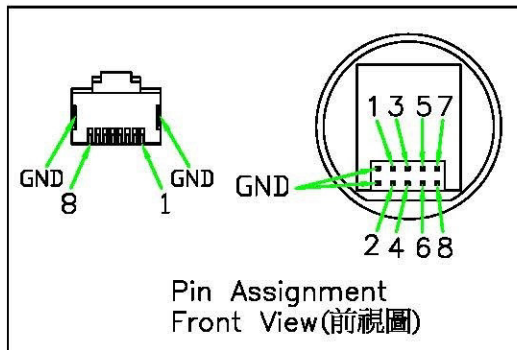
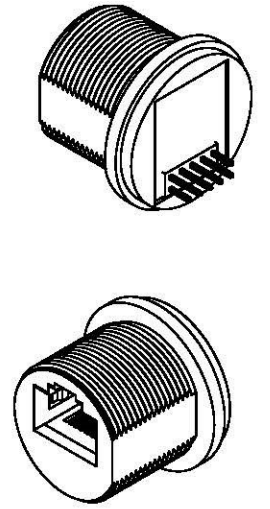
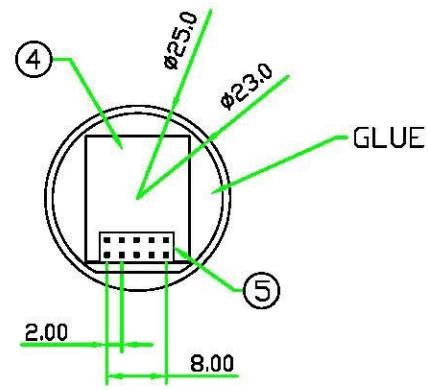
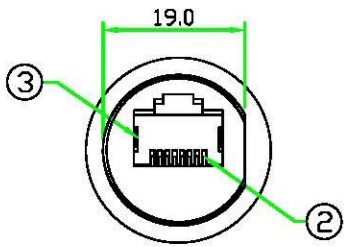
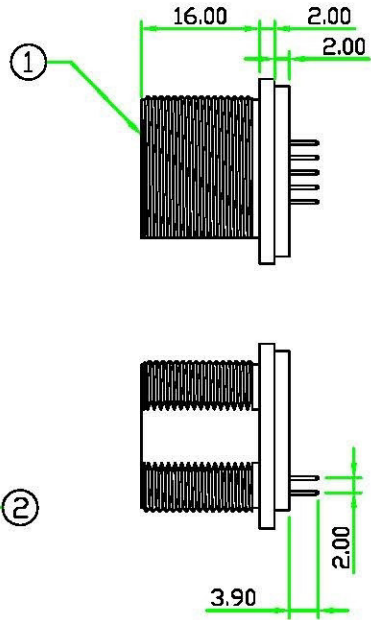
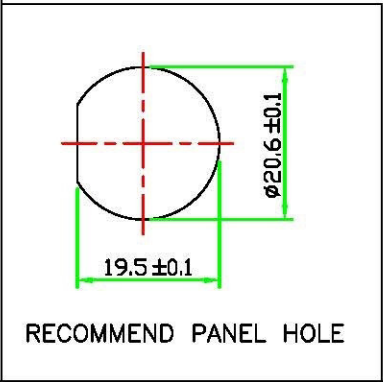
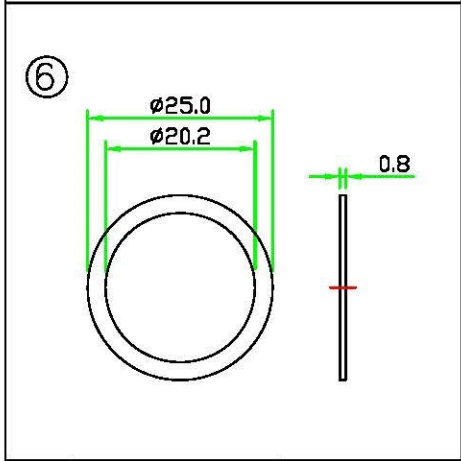
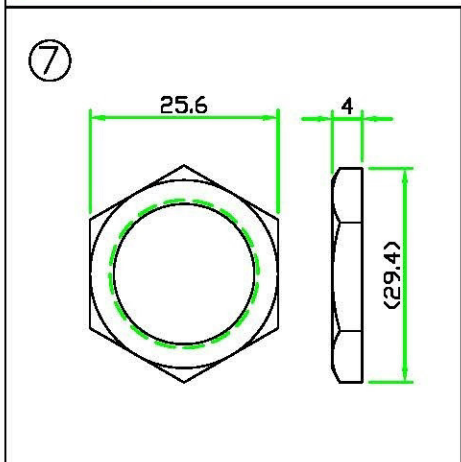


PROPRIETARY AND CONFIDENTIAL  
 THE INFORMATION CONTAINED IN THIS DRAWING IS THE SOLE PROPERTY OF HTP ASIA TECHNOLOGY CO., LTD. .  
 ANY REPRODUCTION IN PART OR AS A WHOLE WITHOUT THE WRITTEN PERMISSION OF HTP ASIA TECHNOLOGY CO., LTD. IS PROHIBITED.

REV	DESCRIPTION	DATE
A	ISSUE	MAR/11/2014

**RoHS**



原型號為:RJ45C-PJSSC

No.	PART NAME	DESCRIPTION	COLOR	Q'TY	REMARKS
7	HEX NUT	NYLON+GF.	BLACK	1	RJ45CUSB-NUT (42-135)
6	GASKET	EPDM.	BLACK	1	CCA-G-EP70
5	CONNECTOR	PIN HEADER, PITCH 2.0mm, 5P*2ROW.	BLACK	1	PH2.0-5P2R-S
4	PCB	FR4 . DOUBLE SIDE, 1.0mm THICKNESS.		1	RJ45-PCB
3	GROUND	GROUND CONTACT. SUS301.		2	RJ45C-PLATE
2	CONTACT	RJ45 PIN CONTACT. Phos. Bronze 50u" gold plating.		8	RJ45J-180
1	CONNECTOR	RJ45 JACK CONNECTOR BODY. NYLON+GF.	BLACK	1	RJ45C-PC (89-135)

**Allconnectors**  
 www.allconnectors.de info@allconnectors.de  
 Tel.: 0049 711 7006003 Fax: 0049 711 7006004  
 70794 Filderstadt - Germany Kettnerstr. 25

**UNIT:** mm  
**SCALE:** 1:1

**TITLE :** RJ45 JACK C SIZE PANEL CONNECTOR  
 SCREW TYPE ROUND FLANGE  
 10P STRAIGHT PIN HEADER

**P/N:** RJ45C-P3C01  
**DR.:** Patty  
**CH.:** ERIC  
**AP.:**

**DWG.NO:** RJ45C-P3C01

**UNLESS OTHERWISE SPECIFIED TOLERANCES:**  
 X ±0.25 XX ±0.1  
 XXX ±0.05 ANGLE ±1EX  
 REV. SHEET  
 A 1/1