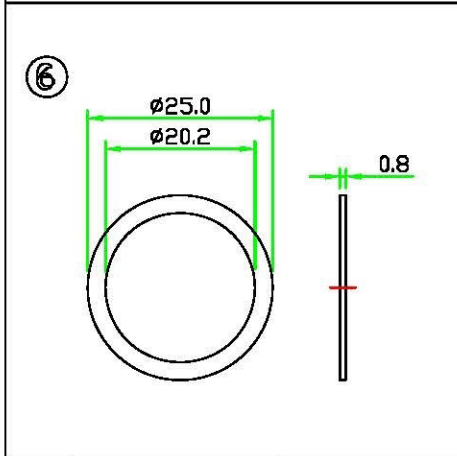
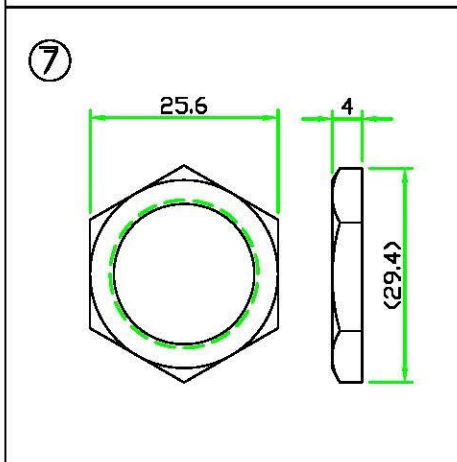


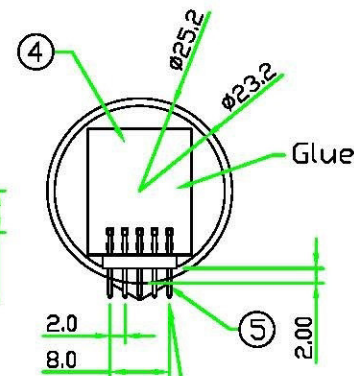
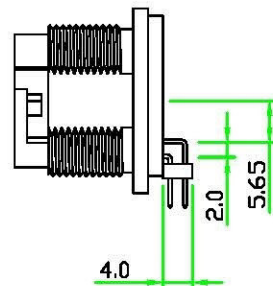
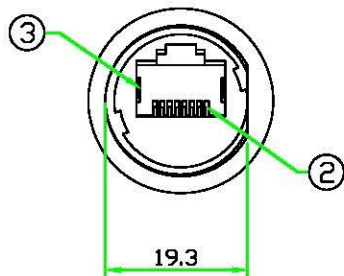
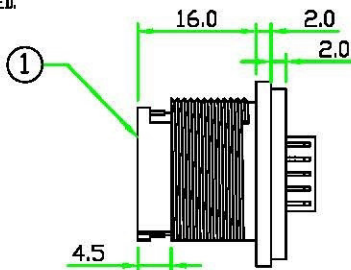
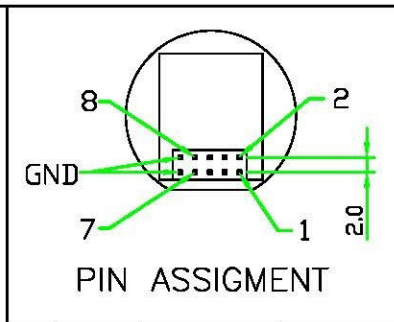
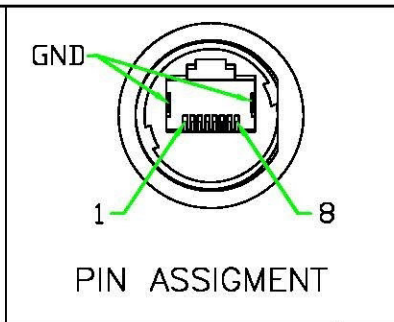
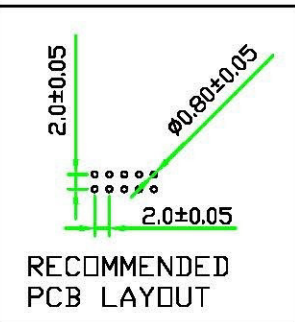
PROPRIETARY AND CONFIDENTIAL.  
 THE INFORMATION CONTAINED IN THIS DRAWING IS THE SOLE PROPERTY OF HTP ASIA TECHNOLOGY CO., LTD. .  
 ANY REPRODUCTION IN PART OR AS A WHOLE WITHOUT THE WRITTEN PERMISSION OF HTP ASIA TECHNOLOGY CO., LTD. IS PROHIBITED.

RoHS

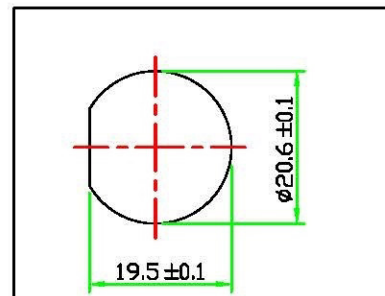
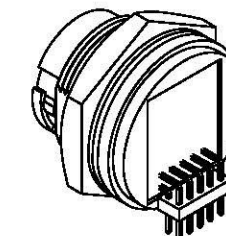
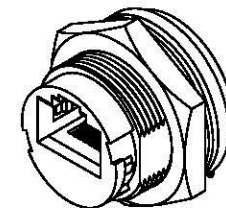
REV	DESCRIPTION	DATE
A	ISSUE	MAR/11/2014



原型號為:RJ45D-PJLRC



□0.5\*0.5mm x 10 pin



7	HEX NUT	NYLON+GF.	BLACK	1	
6	GASKET	EPDM.	BLACK	1	
5	CONNECTOR	RIGHT ANGLE PIN HEADER, PITCH 2.0mm, 5P*2ROW.	BLACK	1	
4	PCB	FR4 . DOUBLE SIDE, 1.0mm THICKNESS.		1	
3	GROUND	GROUND CONTACT. SUS301.		2	
2	CONTACT	RJ45 PIN CONTACT. Phos. Bronze 50u" gold plating.		8	
1	CONNECTOR	RJ45 JACK CONNECTOR BODY. NYLON+GF.	BLACK	1	
No.	PART NAME	DESCRIPTION	COLOR	Q'TY	REMARKS

**Allconnectors**  
www.allconnectors.de  
 Tel: 0049 713 7009503  
 70/94 Hildorstadt Germany      info@allconnectors.de  
 Fax: 0049 713 7009504  
 Kettenerstr. 25

UNIT: mm    TITLE : RJ45 JACK C SIZE PANEL CONNECTOR  
 LOCK & ROUND FLANGE TYPE  
 PIN HEADER R/A PIN

SCALE    1:1

UNLESS OTHERWISE SPECIFIED TOLERANCES:  
 x ±0.25    xx ± 0.1  
 xxx ± 0.05    ANGLE ± 1°

REV.    SHEET    P/N:    DR.    Patty  
 A    1/1    RJ45C-L3C02    CH.    ERIC

DWG.NO:    AP.  
 RJ45C-L3C02