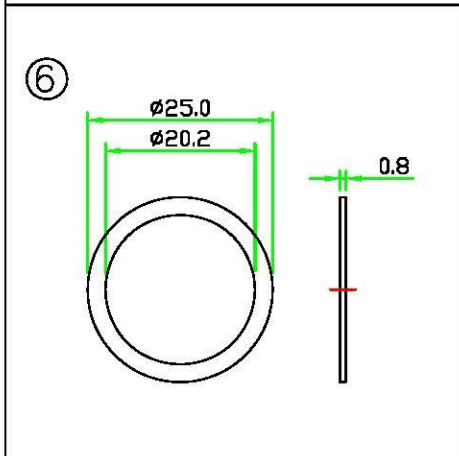
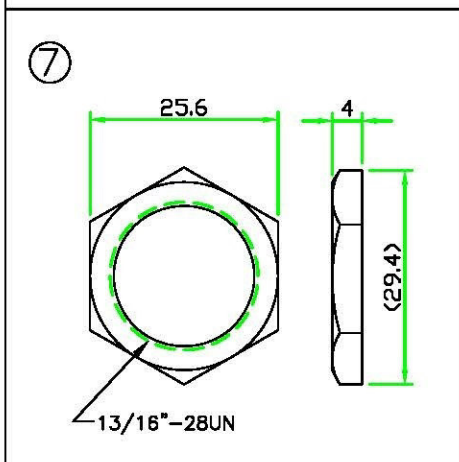


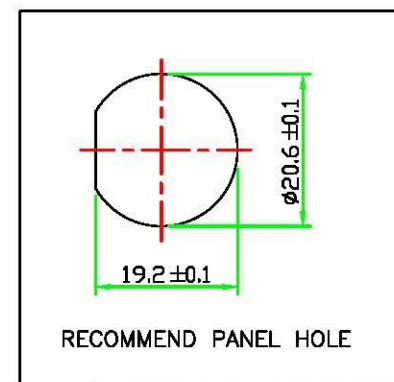
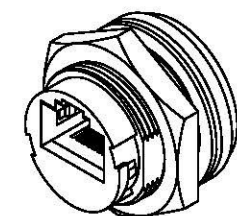
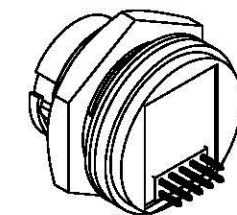
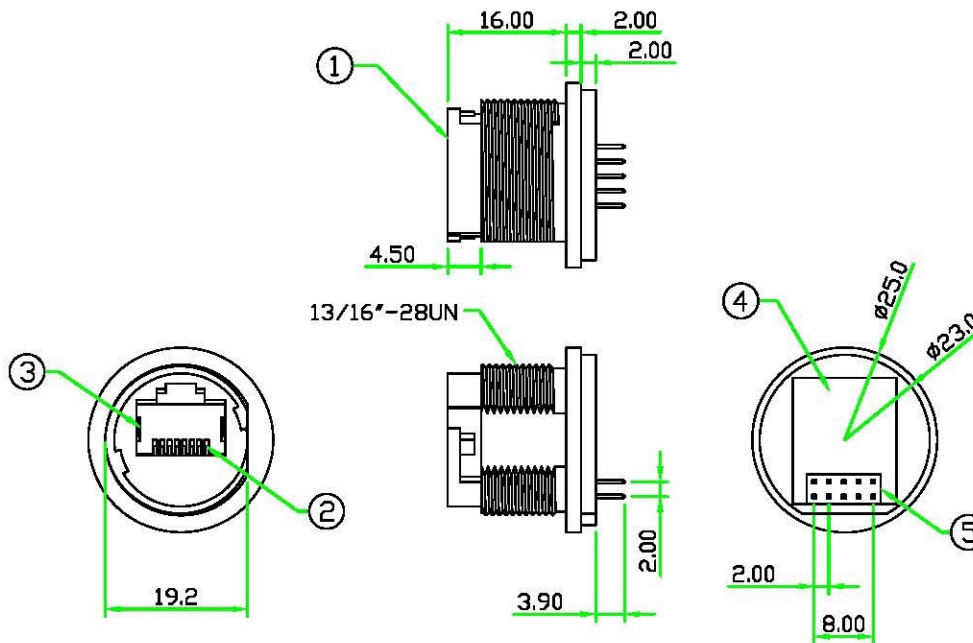
PROPRIETARY AND CONFIDENTIAL
 THE INFORMATION CONTAINED IN THIS DRAWING IS THE SOLE PROPERTY OF HTP ASIA TECHNOLOGY CO., LTD. .
 ANY REPRODUCTION IN PART OR AS A WHOLE WITHOUT THE WRITTEN PERMISSION OF HTP ASIA TECHNOLOGY CO., LTD. IS PROHIBITED.

RoHS

REV	DESCRIPTION	DATE
A	ISSUE	NOV/10/2008



原型號為:RJ45C-PJLSC



7	HEX NUT	NYLON+GF.	BLACK	1	
6	GASKET	EPDM.	BLACK	1	
5	CONNECTOR	PIN HEADER, PITCH 2.0mm, 5P*2ROW.	BLACK	1	
4	PCB	FR4 . DOUBLE SIDE, 1.0mm THICKNESS.		1	
3	GROUND	GROUND CONTACT. SUS301.		2	
2	CONTACT	RJ45 PIN CONTACT. Phos. Bronze 50u" gold plating.		8	
1	CONNECTOR	RJ45 JACK CONNECTOR BODY. NYLON+GF.	BLACK	1	
No.	PART NAME	DESCRIPTION	COLOR	Q'TY	REMARKS

 UNIT: mm SCALE 1:1		TITLE : RJ45 JACK C SIZE PANEL CONNECTOR LOCK TYPE ROUND FLANGE 10 PIN STRAIGHT PIN	
UNLESS OTHERWISE SPECIFIED TOLERANCES: x ±0.25 xx ±0.1 xxx ±0.05 ANGLE ±1EX		REV. A SHEET 1/1	

Allconnectors
 www.allconnectors.de info@allconnectors.de
 Tel.: 0049 7141 7009503 Fax: 0049 7141 7009504
 70794 Filderstadt - Germany Kettemerstr. 25