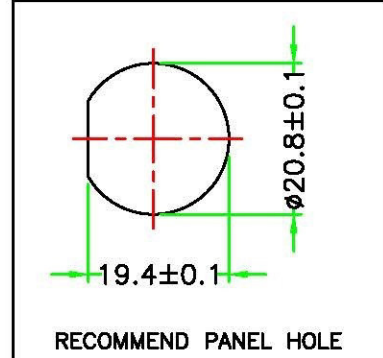
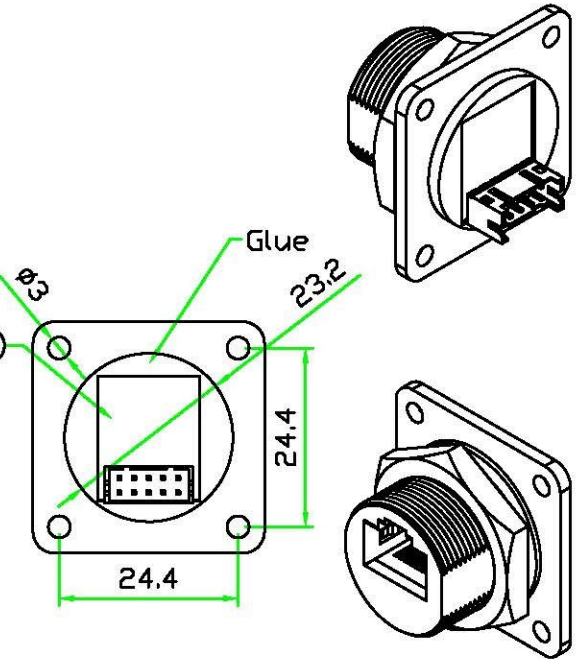
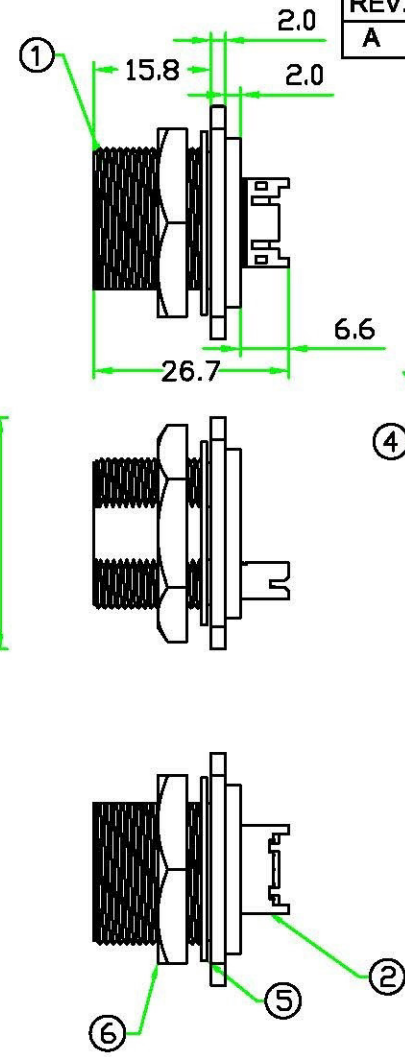
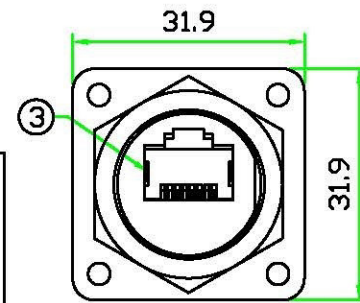
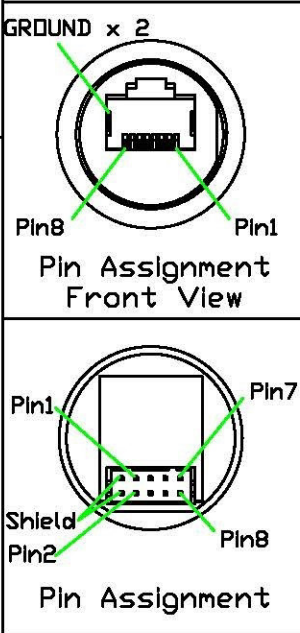
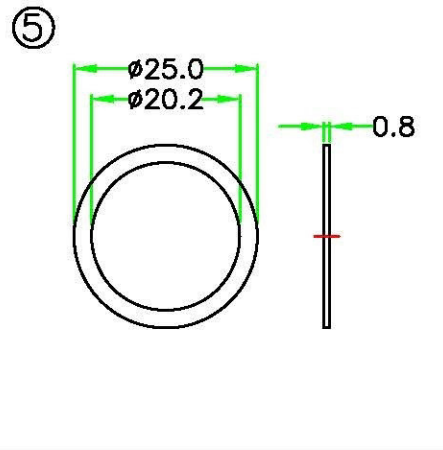
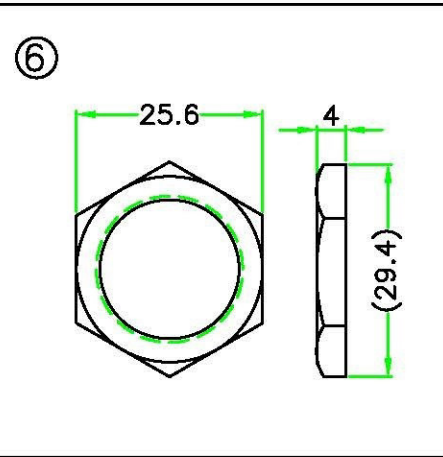


RoHS  
IP67

REV.	DESCRIPTION	DATE
A	ISSUE	Apr/13/2009



6	HEX NUT	NYLON+GF.	BLACK	1	
5	GASKET	EPDM.	BLACK	1	
4	PCB	FR4 . DOUBLE SIDE, 1.0mm THICKNESS.		1	
3	GROUND	GROUND CONTACT. SUS301.		2	
2	WAFER	PITCH 2.0 5 PIN x 2 ROW, STRAIGHT WAFER.		1	
1	CONNECTOR	RJ45 JACK CONNECTOR BODY. NYLON+GF.	BLACK	1	
No.	PART NAME	DESCRIPTION	COLOR	QTY	REMARKS

**Allconnectors**  
www.allconnectors.de  
Tel.: 0049 711 7005503  
All-Net-Industrie GmbH  
info@allconnectors.de  
Fax: 0049 711 7005504  
Kettelerstr. 21

UNIT: mm  
SCALE: 1:1  
TITLE: RJ45 PANEL MOUNT CONNECTOR SQUARE FLANGE SCREW TYPE WITH WAFER.

UNLESS OTHERWISE SPECIFIED TOLERANCES:  
X ±0.25 XX ±0.1  
XXX ±0.05 ANGLE ±1°X  
REV. A SHEET 1/1

P/N: RJ45C-JPSWSS  
DWG.NO: RJ45C-JPSWSS

DR. Stanley  
CH. мезаєє  
AP.