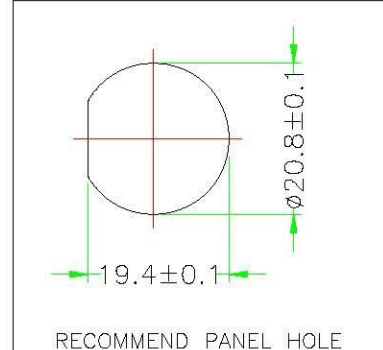
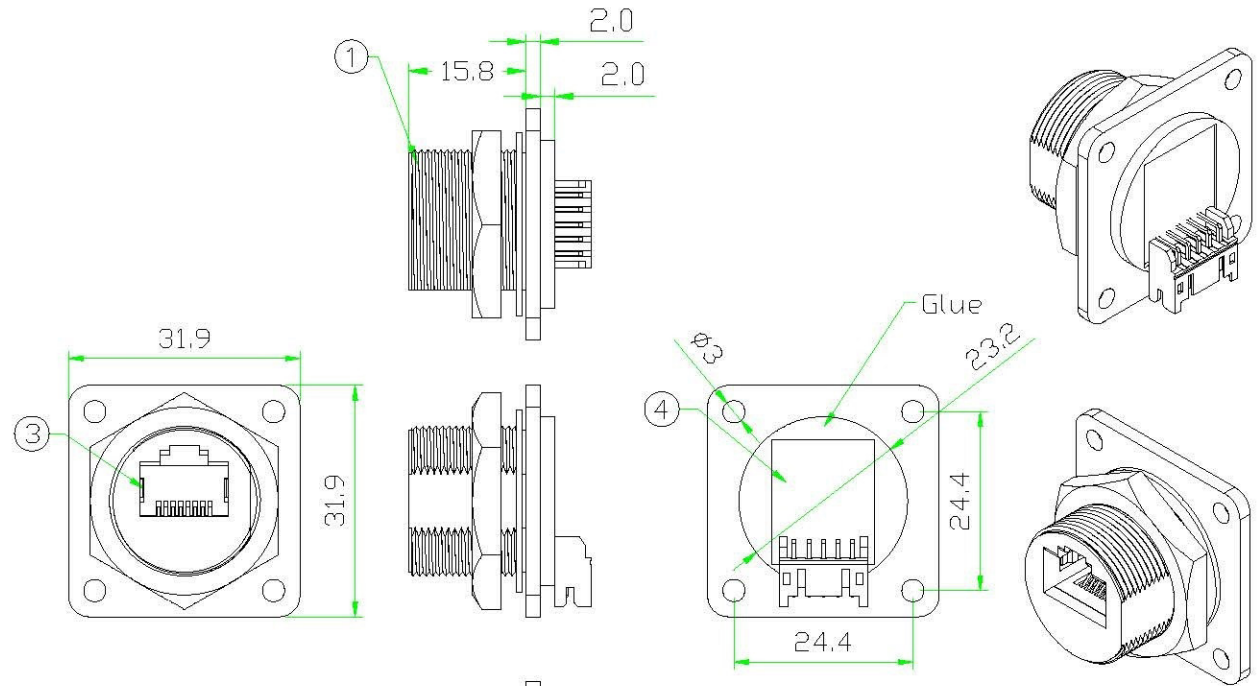
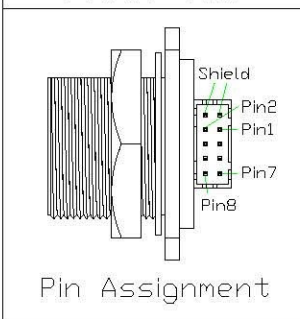
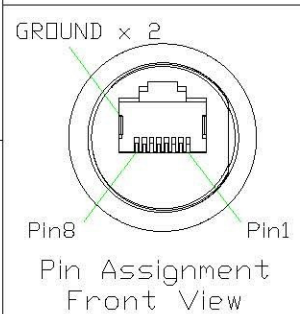
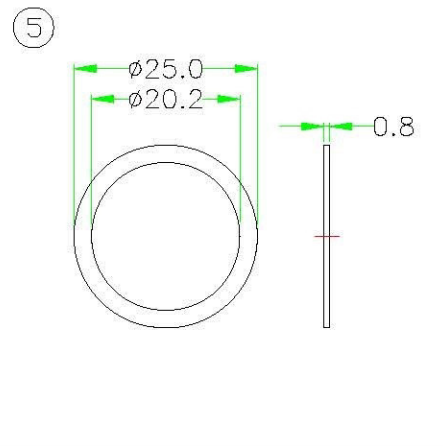
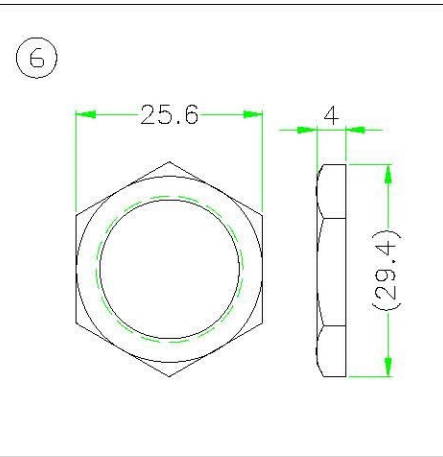


RoHS
IP67

REV.	DESCRIPTION	DATE
A	ISSUE	Apr/13/2009



6	HEX NUT	NYLON+GF.	BLACK	1	
5	GASKET	EPDM.	BLACK	1	
4	PCB	FR4 . DOUBLE SIDE, 1.0mm THICKNESS.		1	
3	GROUND	GROUND CONTACT. SUS301.		2	
2	WAFER	PITCH 2.0 5 PIN x 2 ROW, R/A WAFER.		1	
1	CONNECTOR	RJ45 JACK CONNECTOR BODY. NYLON+GF.	BLACK	1	
No.	PART NAME	DESCRIPTION	COLOR	QTY	REMARKS

Allconnectors
www.allconnectors.de
Tel.: 0049 711 700503
70724 Filzbergstr. - Germany
info@allconnectors.de
Fax: 0049 711 700504
Kettnerstr. 25

UNIT: mm
SCALE 1:1
TITLE: **RJ45 PANEL MOUNT CONNECTOR SQUARE FLANGE SCREW TYPE WITH R/A WAFER.**

UNLESS OTHERWISE SPECIFIED TOLERANCES:
X ±0.25 XX ±0.1
XXX ±0.05 ANGLE ± 1°X
REV. A SHEET 1/1

P/N: **RJ45C-JPSWRS**
DWG.NO: **RJ45C-JPSWRS**

DR. *Stanley*
CH. *мезакел*
AP.