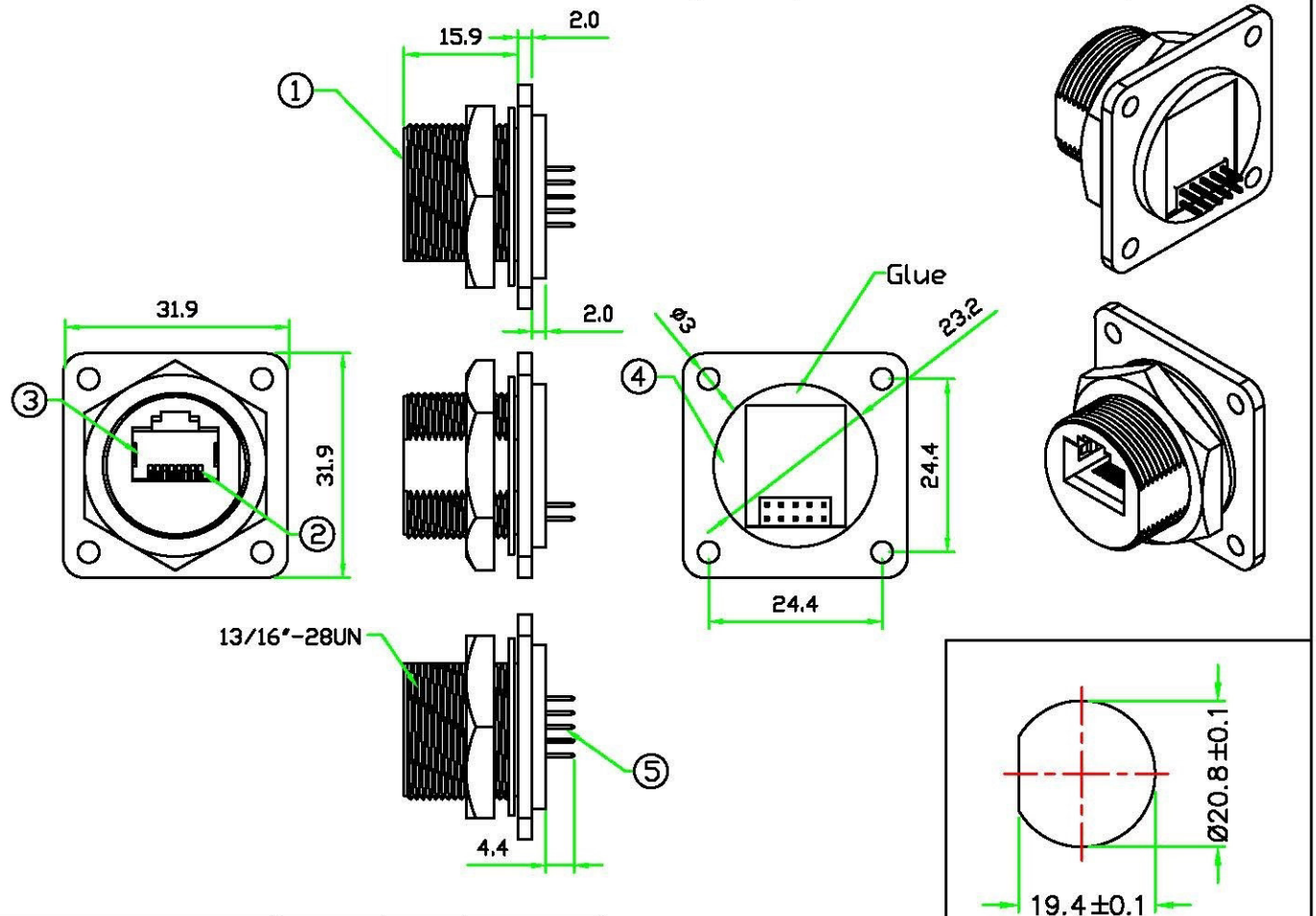
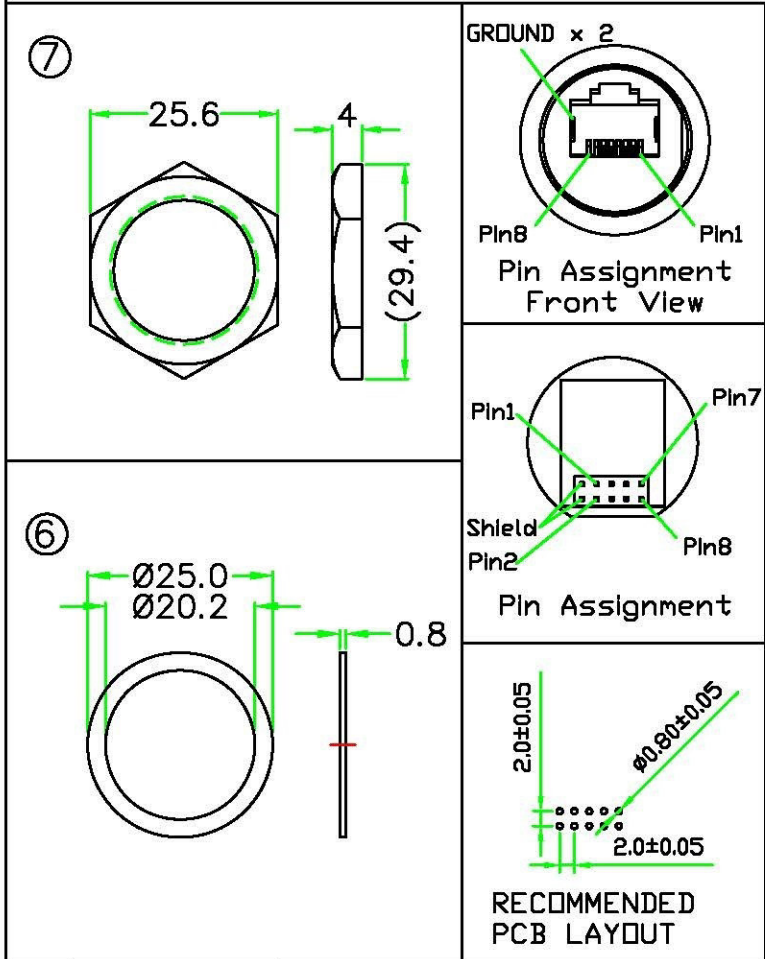


RoHS
IP67

REV	DESCRIPTION	DATE
A	ISSUE	NOV/10/2008



7	HEX NUT	NYLON+GF.	BLACK	1	
6	GASKET	EPDM.	BLACK	1	
5	CONNECTOR	PIN HEADER, PITCH 2.0mm, 5P*2ROW.	BLACK	1	
4	PCB	FR4 . DOUBLE SIDE, 1.0mm THICKNESS.		1	
3	GROUND	GROUND CONTACT. SUS301.		2	
2	CONTACT	RJ45 PIN CONTACT. Phos. Bronze 50u" gold plating.		8	
1	CONNECTOR	RJ45 JACK CONNECTOR BODY. NYLON+GF.	BLACK	1	
No.	PART NAME	DESCRIPTION	COLOR	Q'TY	REMARKS

Allconnectors
www.allconnectors.de
Tel.: 0049 711 7009503
70794ilderstadt - Germany

info@allconnectors.de
Fax: 0049 711 7009504
Kettnerstr. 25

UNIT: mm
SCALE: 1:1

TITLE: RJ45 JACK C SIZE PANEL CONNECTOR
SCREW TYPE SQUIRE FLANGE
10 PIN STRAIGHT PIN

UNLESS OTHERWISE SPECIFIED TOLERANCES:
X ±0.25 XX ±0.1
XXX ±0.05 ANGLE ±1°X

P/N: RJ45C-JPSSS
DR.: jaek
CH.: michael
DWG.NO.: RJ45C-JPSSS
AP.:

REV.: A
SHEET: 1/1