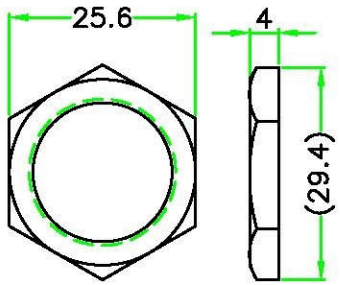


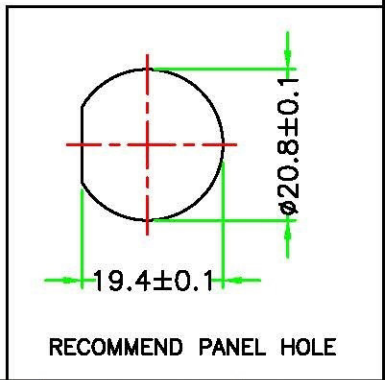
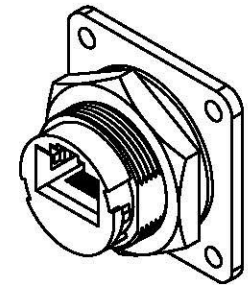
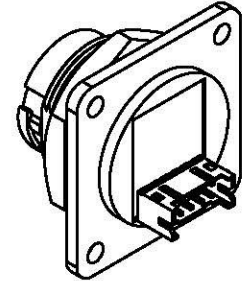
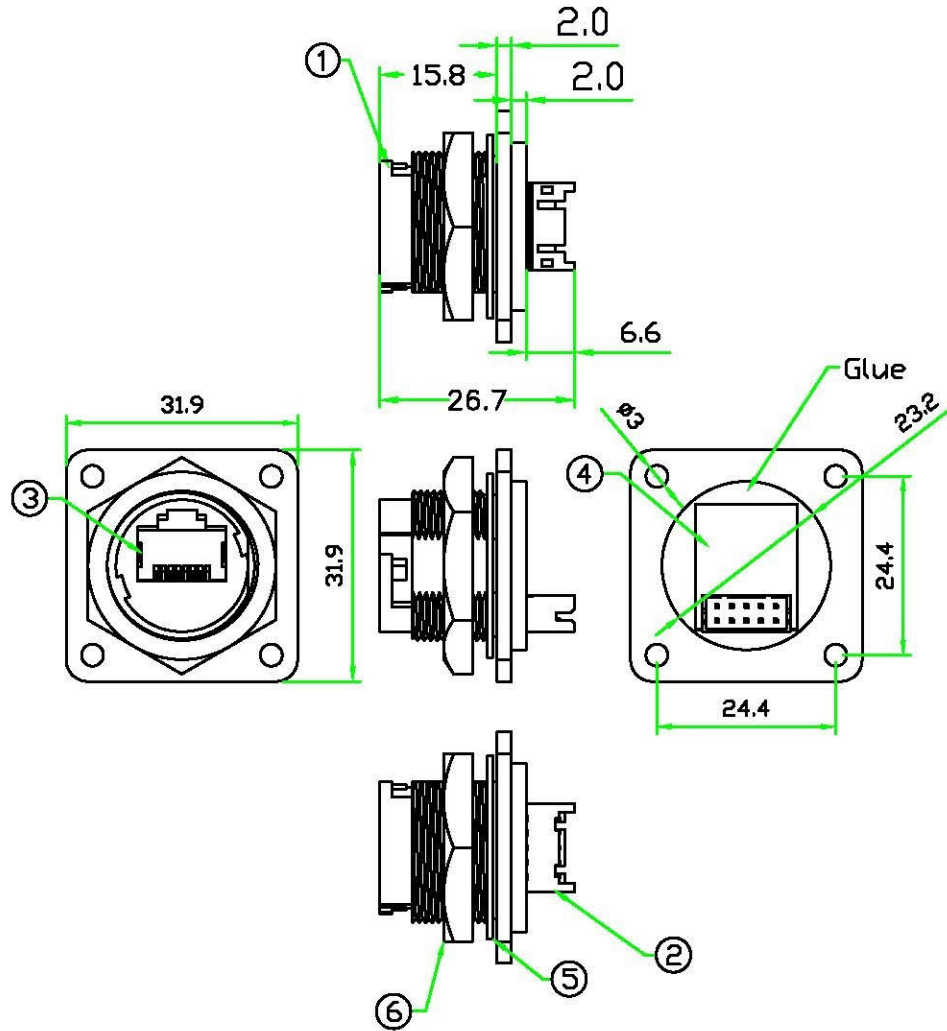
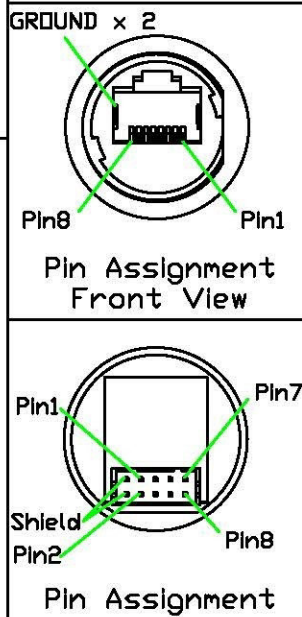
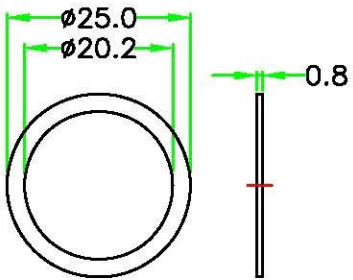
RoHS
IP67

REV.	DESCRIPTION	DATE
A	ISSUE	Apr/13/2009

⑥



⑤



6	HEX NUT	NYLON+GF.	BLACK	1	
5	GASKET	EPDM.	BLACK	1	
4	PCB	FR4 . DOUBLE SIDE, 1.0mm THICKNESS.		1	
3	GROUND	GROUND CONTACT. SUS301.		2	
2	WAFER	PITCH 2.0 5 PIN x 2 ROW, STRAIGHT WAFER.		1	
1	CONNECTOR	RJ45 JACK CONNECTOR BODY. NYLON+GF.	BLACK	1	
No.	PART NAME	DESCRIPTION	COLOR	QTY	REMARKS

Allconnectors
www.allconnectors.de
 Tel.: 0049 711 7005503
 70724 Tübingen - Germany
info@allconnectors.de
 Fax: 0049 711 7005504
 Kettnerstr. 25

UNIT: mm	TITLE: RJ45 PANEL MOUNT CONNECTOR SQUARE FLANGE LOCK TYPE WITH WAFER.
SCALE: 1:1	P/N: RJ45C-JPLWSS
UNLESS OTHERWISE SPECIFIED TOLERANCES: x ±0.25 XX ±0.1 XXX ±0.05 ANGLE ±1°X	DR. Stanley CH. мезакел
REV. A	DWG.NO: RJ45C-JPLWSS
SHEET 1/1	AP.