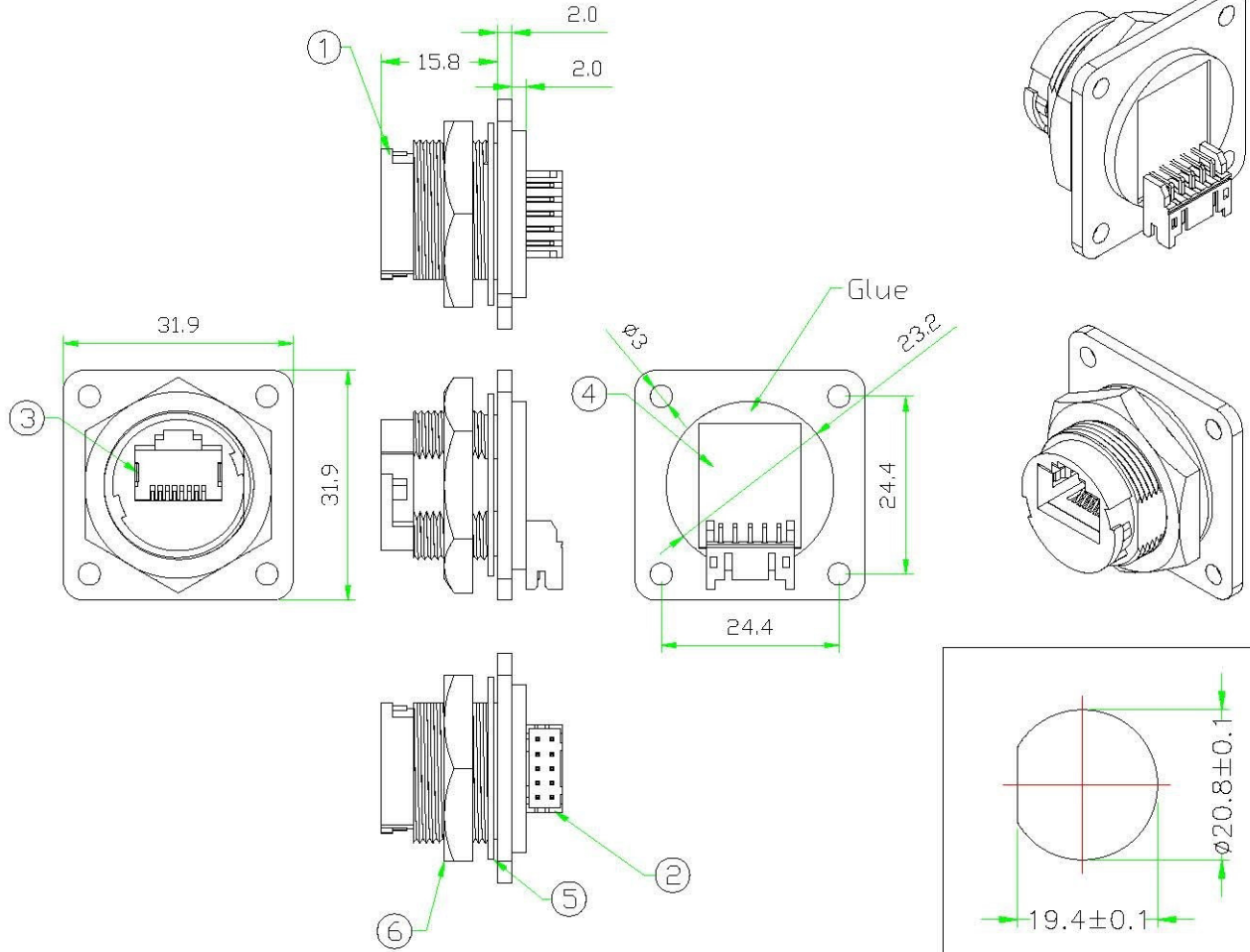
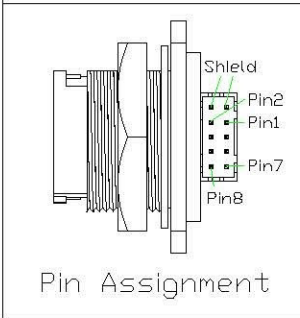
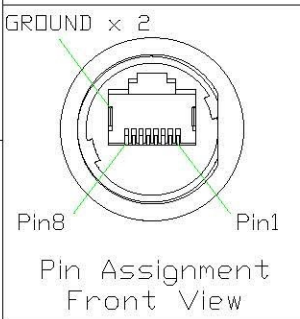
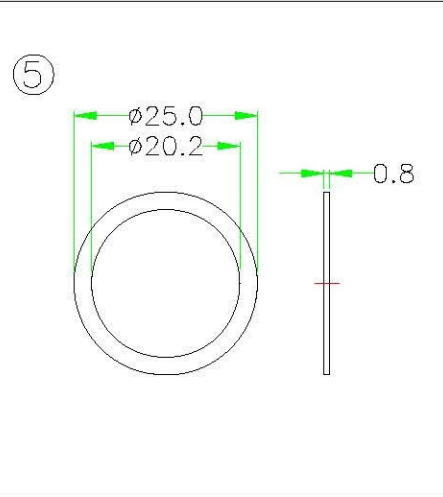
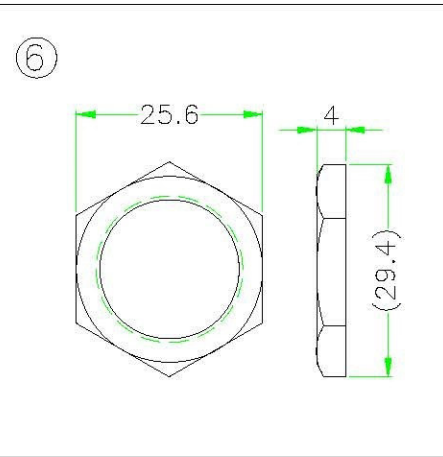


RoHS
IP67

REV.	DESCRIPTION	DATE
A	ISSUE	Apr/13/2009



6	HEX NUT	NYLON+GF.	BLACK	1	
5	GASKET	EPDM.	BLACK	1	
4	PCB	FR4 . DOUBLE SIDE, 1.0mm THICKNESS.		1	
3	GROUND	GROUND CONTACT. SUS301.		2	
2	WAFER	PITCH 2.0 5 PIN x 2 ROW, R/A WAFER.		1	
1	CONNECTOR	RJ45 JACK CONNECTOR BODY. NYLON+GF.	BLACK	1	
No.	PART NAME	DESCRIPTION	COLOR	QTY	REMARKS

Allconnectors
www.allconnectors.de
Tel.: 0049 711 3009058
70734 Rilderstadt - Germany

info@allconnectors.de
Fax: 0049 711 7099504
Kettnerstr. 25

UNIT: mm
SCALE: 1:1

TITLE: **RJ45 PANEL MOUNT CONNECTOR
SQUARE FLANGE
LOCK TYPE WITH R/A WAFER.**

P/N: **RJ45C-JPLWRS**

DWG.NO: **RJ45C-JPLWRS**

UNLESS OTHERWISE SPECIFIED TOLERANCES:
X ±0.25 XX ±0.1
XXX ±0.05 ANGLE ± 1°X

REV. A SHEET 1/1

DR. *Stanley*
CH. *мезхале*
AP.