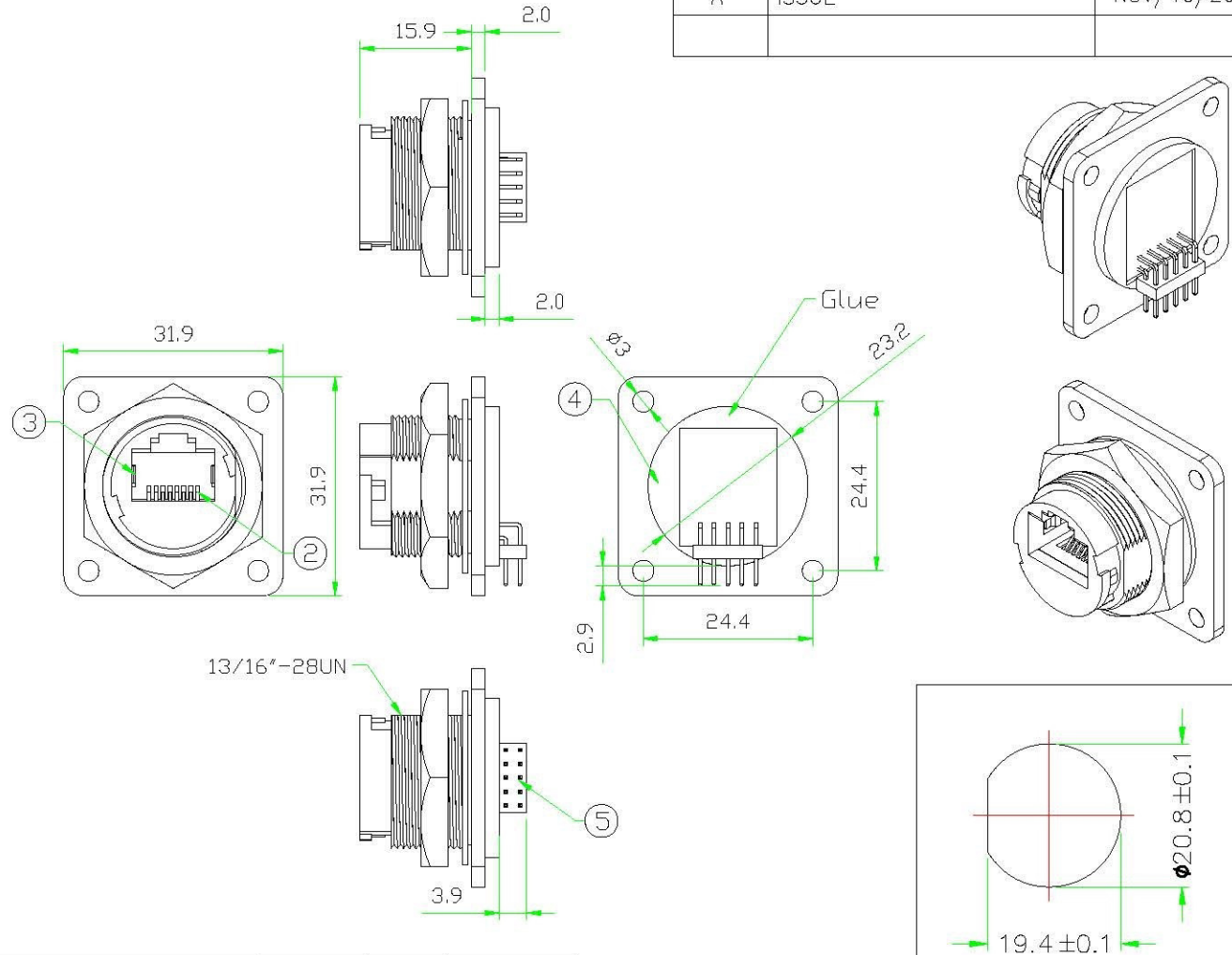
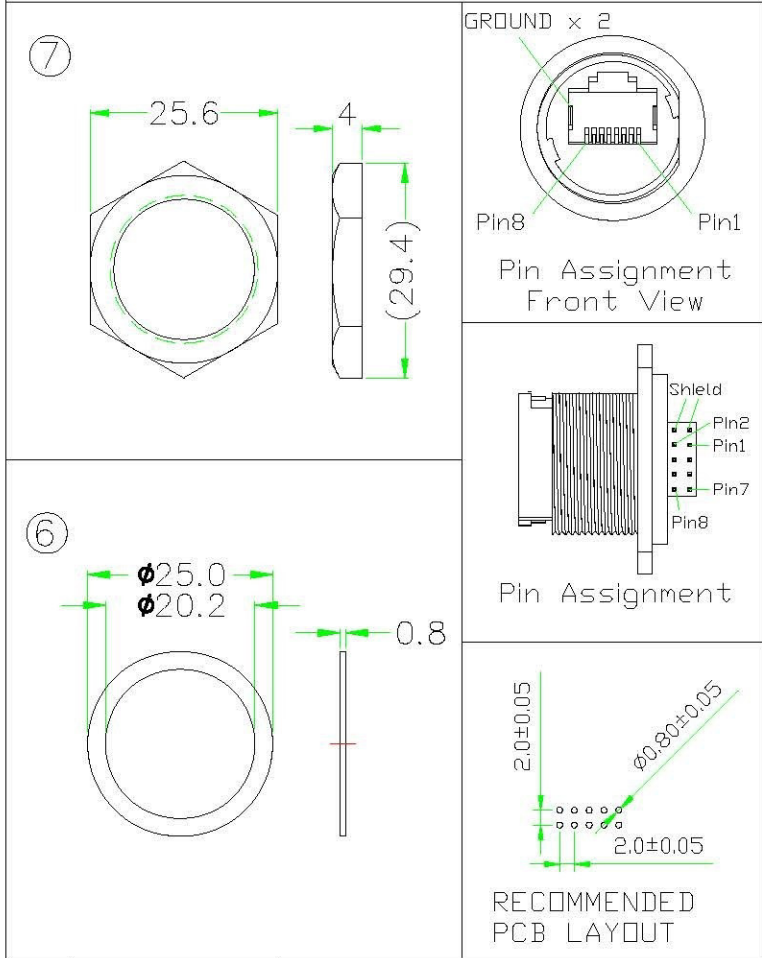


RoHS
IP67

REV	DESCRIPTION	DATE
A	ISSUE	NOV/10/2008



7	HEX NUT	NYLON+GF.	BLACK	1	RJ45-HNUT (42-135-N6)
6	GASKET	EPDM.	BLACK	1	CCA-G
5	CONNECTOR	RIGHT ANGLE PIN HEADER, PITCH 2.0mm, 5P*2ROW.	BLACK	1	2.0PH-52PR
4	PCB	FR4 . DOUBLE SIDE, 1.0mm THICKNESS.		1	RJ45-PCB
3	GROUND	GROUND CONTACT. SUS301.		2	RJ45-PLATE
2	CONTACT	RJ45 PIN CONTACT. Phos. Bronze 50u" gold plating.		8	RJ45J-180
1	CONNECTOR	RJ45 JACK CONNECTOR BODY. NYLON+GF.	BLACK	1	
No.	PART NAME	DESCRIPTION	COLOR	Q'TY	REMARKS

<p>www.allconnectors.de TEL: 0049 711 7069193 70794 Fildefstadt - Germany</p> <p>info@allconnectors.de Fax: 0049 711 7069194 Kettnerstr. 25</p>		<p>TITLE : RJ45 JACK C SIZE PANEL CONNECTOR LOCK & SQUARE FLANGE TYPE PIN HEADER R/A PIN</p>
<p>UNIT: mm</p> <p>SCALE 1:1</p> <p>UNLESS OTHERWISE SPECIFIED TOLERANCES: x ±0.25 xx ±0.1 xxx ±0.05 ANGLE ± 1°X</p>	<p>P/N: RJ45C-JPLRS</p> <p>DWG.NO: RJ45C-JPLRS</p>	<p>DR. <i>jaeck</i></p> <p>CH. <i>michael</i></p> <p>AP.</p>
<p>REV. A</p> <p>SHEET 1/1</p>		