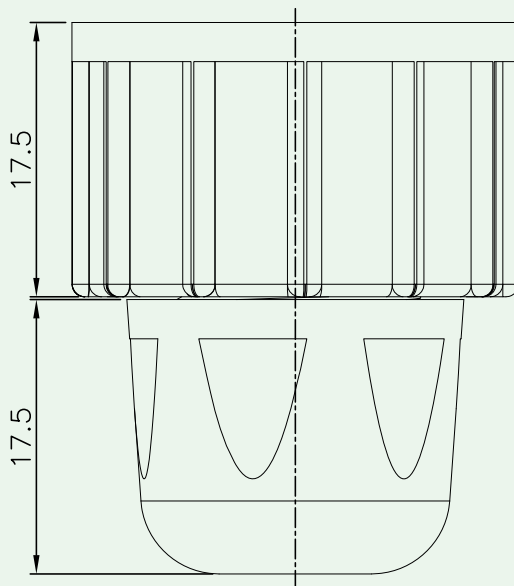
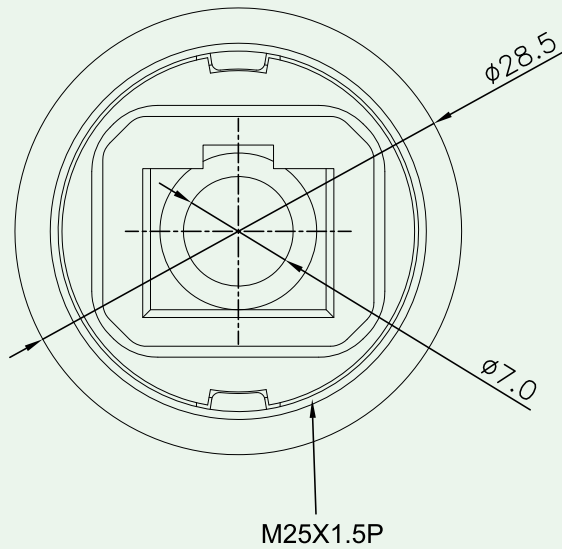


Waterproof Cable Side (Mated IP67)



Materials

- **Plastic Housing** : Engineering Thermoplastic.
Flammability Rating UL 94V-0.

Ordering Information

3351L-01

Allconnectors

www.allconnectors.eu | info@allconnectors.eu

Tel. +49 (0)711 / 358 110 20 | Fax +49 (0)711 / 358 110 25