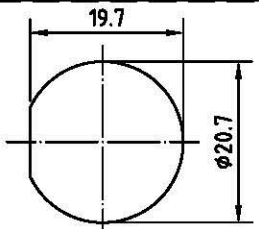
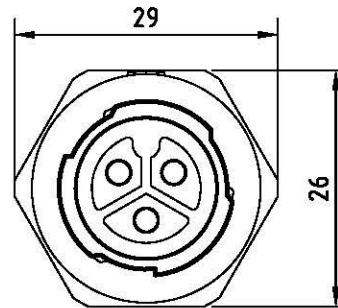
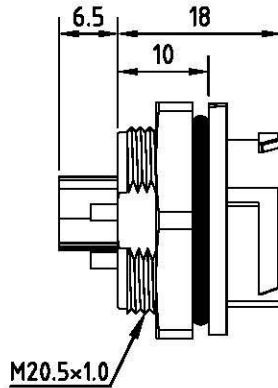
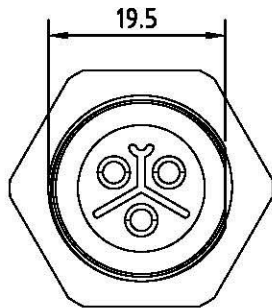


REV.	Description	Date



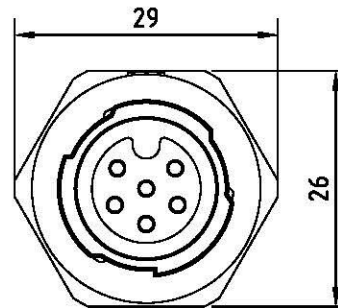
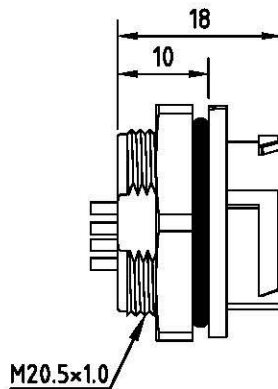
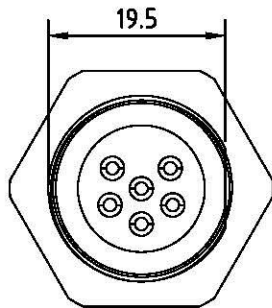
Recommended  
Panel cut-out



PIN NO. 2-3P

### Specification of connector

Locking system : Quick Push Lock  
 Termination : solder  
 Shell protection : IP68  
 Contact resistance : <10mΩ  
 Insulation resistance : >10MΩ



PIN NO. 4-6P

RoHS  
 TOLERANCE X±0.5 X.X±0.3

CONTACT ARRANGEMENT FRONT VIEW (FEMALE)	2P	3P	4P	5P	6P
Rated voltage	300V	250V	60V		
Rated current	20A	10A	10A		

4	Nut	PA	
3	O ring	Rubber	
2	Pin	Brass	Gold plated
1	Body	PA	
Item	Description	Material	Treat & Remark

# Allconnectors

www.allconnectors.de  
 Tel.: 0049 711 7009503  
 70794 Filderstadt - Germany

info@allconnectors.de  
 Fax: 0049 711 7009504  
 Kettnerstr. 25

DATE	2019/12/17	PART NO.	SD365M2-XP
DWN	GINA	REV.	0
CHK			
UNIT	MM		

ITEM Type J(J3): female conn. 2-6P