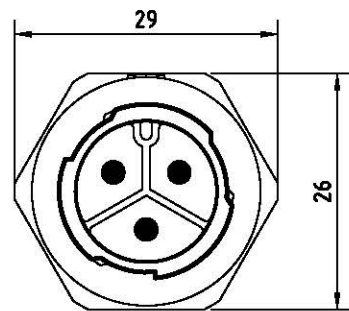
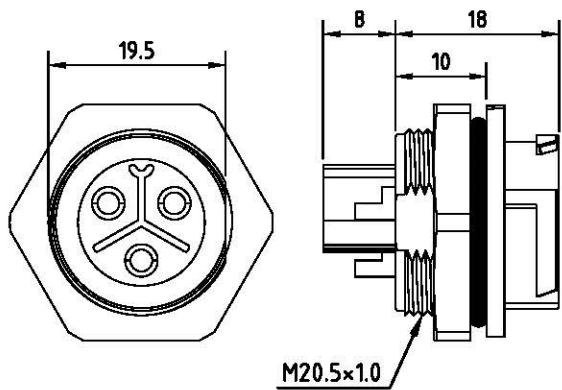
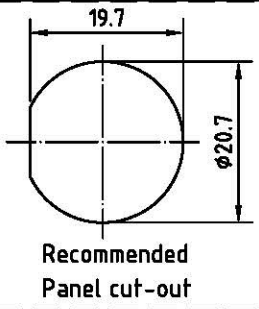


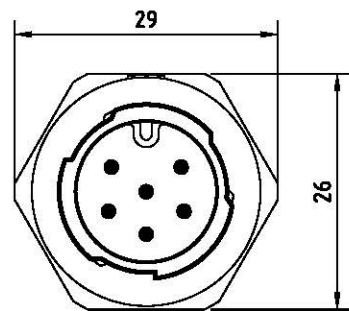
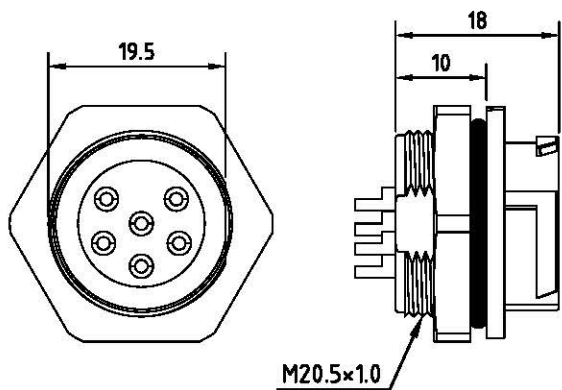
REV.	Description	Date



PIN NO. 2-3P

Specification of connector

- Locking system : Quick Push Lock
- Termination : solder
- Shell protection : IP68
- Contact resistance : <10mΩ
- Insulation resistance : >10MΩ



PIN NO. 4-6P

RoHS
TOLERANCE X±0.5 X.X±0.3

CONTACT ARRANGEMENT FRONT VIEW (MALE)	2P	3P	4P	5P	6P
Rated voltage	300V	250V	60V		
Rated current	20A	10A	10A		

4	Nut	PA	
3	O ring	Rubber	
2	Pin	Brass	Gold plated
1	Body	PA	
Item	Description	Material	Treat & Remark

Allconnectors

www.allconnectors.de
Tel.: 0049 711 7009503
70794 Filderstadt - Germany

info@allconnectors.de
Fax: 0049 711 7009504
Kettnerstr. 25

DATE	2019/12/17	PART NO.	SD365F2-XP
DWN	GINA	REV.	0
CHK			
UNIT	MM		

ITEM	Type J(J4): male conn. 2-6P
------	-----------------------------