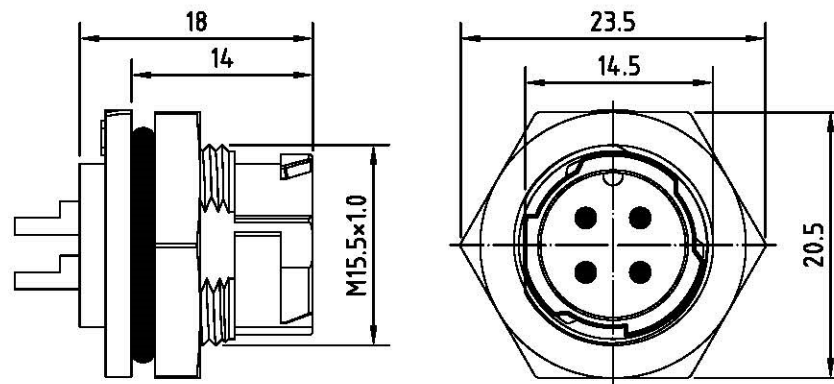


Recommended
Panel cut-out



REV.	Description	Date

Specification of connector

- Locking system : Quick Push Lock
- Termination : solder
- Shell protection : IP68
- Contact resistance : <math><10\text{m}\Omega</math>
- Insulation resistance : >math>10\text{M}\Omega</math>

RoHS
TOLERANCE $X \pm 0.5$. $X \pm 0.3$

CONTACT ARRANGEMENT FRONT VIEW (MALE)	2P	3P	4AP	4BP	5P	6P	7P	8P
Rated voltage	250V			250V		60V		
Rated current	10A			5A		5A		

4	Nut	PA	
3	O ring	Rubber	
2	Pin	Brass	Gold plated
1	Body	PA	
Item	Description	Material	Treat & Remark

Allconnectors

www.allconnectors.de
Tel.: 0049 711 7009503
70794 Filderstadt - Germany

info@allconnectors.de
Fax: 0049 711 7009504
Kettnerstr. 25

DATE	2019/12/17	PART NO.	SD363F1-XP
DWN	GINA	REV.	0
CHK			
UNIT	MM		

ITEM	Type J(J2): male conn. 2-8P
------	-----------------------------