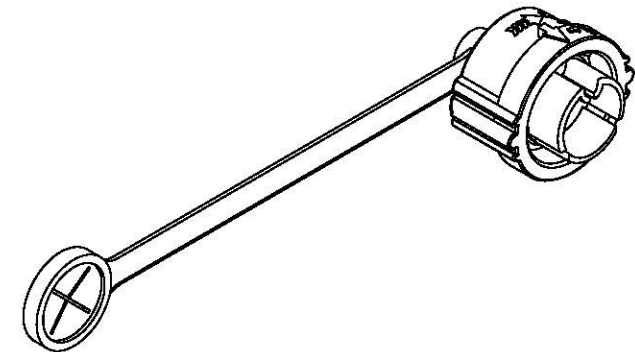
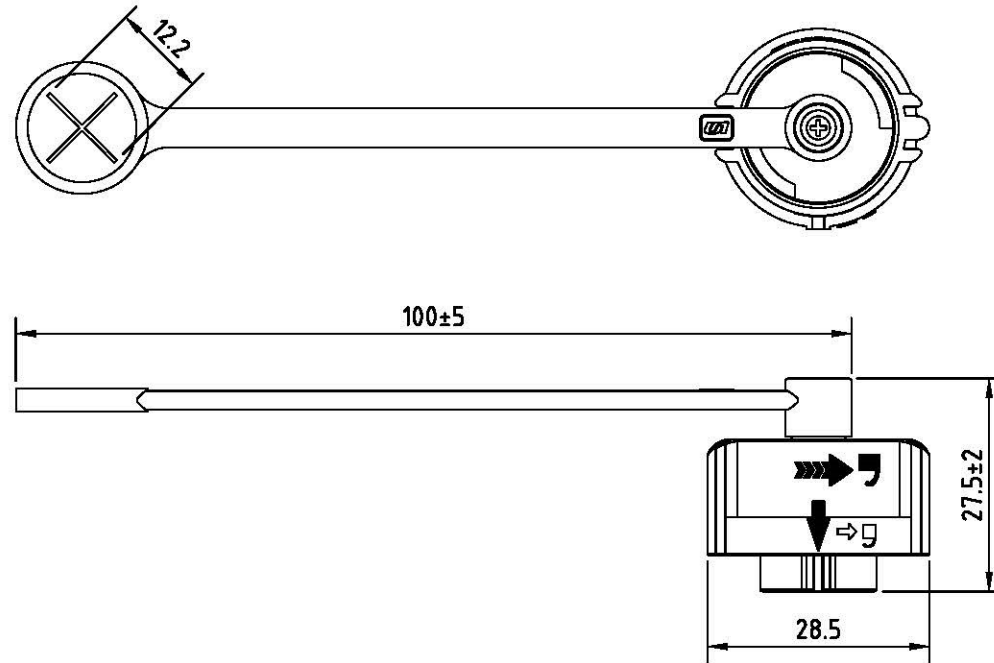


| REV. | Description | Date |
|------|--------------------|----------|
| 1 | dimensions revised | 2020/2/5 |



RoHS
TOLERANCE ±0.5

| 5 | Screw | SUS | |
|------|-------------|----------|----------------|
| 4 | Washer | SUS | |
| 3 | Cable tie | PVC | |
| 2 | O ring | Rubber | |
| 1 | Cap | PA | |
| Item | Description | Material | Treat & Remark |

Allconnectors

www.allconnectors.de
Tel.: 0049 711 7009503
70794 Filderstadt - Germany

info@allconnectors.de
Fax: 0049 711 7009504
Kettnerstr. 25

| | | | |
|------|----------------------------|----------|----------|
| DATE | 2020/2/5 | PART NO. | D365C-2C |
| DWN | GINA | REV. | 1 |
| CHK | | | |
| ITEM | Type J(J4): waterproof cap | UNIT | MM |