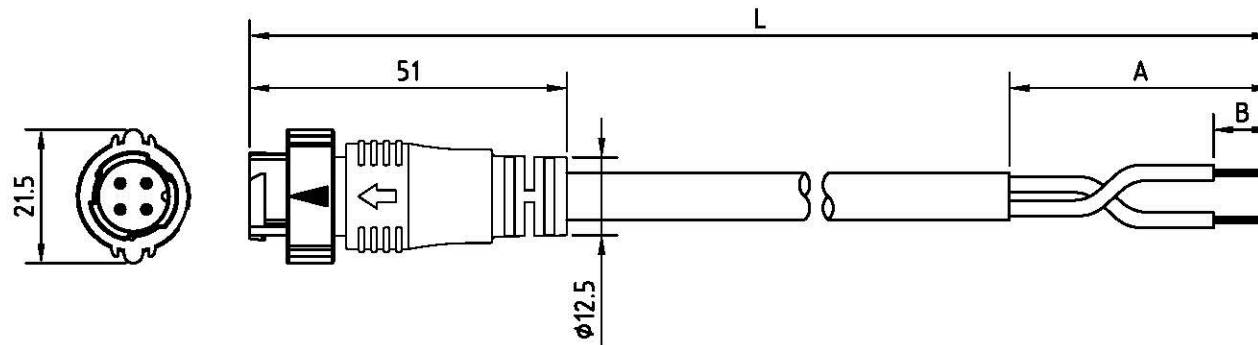


REV.	Description	Date



### Specification of connector

Locking system : Quick Push Lock  
 Termination : solder  
 Shell protection : IP68  
 Contact resistance : <10mΩ  
 Insulation resistance : >10MΩ

**Materials**  
 Pin contact : brass  
 Contact plating : gold  
 Male insert : PA

### Specification of cable

Material Jacket	PVC	PUR

RoHS

CONTACT ARRANGEMENT FRONT VIEW (MALE)	2P	3P	4AP	4BP	5P	6P	7P	8P
Rated voltage	250V			250V		60V		
Rated current	10A			5A		5A		

**Allconnectors**

[www.allconnectors.de](http://www.allconnectors.de)  
 Tel.: 0049 711 7009503  
 70794 Filderstadt - Germany

[info@allconnectors.de](mailto:info@allconnectors.de)  
 Fax: 0049 711 7009504  
 Kettnerstr. 25

DATE	2019/12/17	PART NO.	D363M2-XP
DWN	GINA	REV.	0
CHK			
UNIT	MM		

ITEM	Type J(J2): male conn. 2-8P
------	-----------------------------