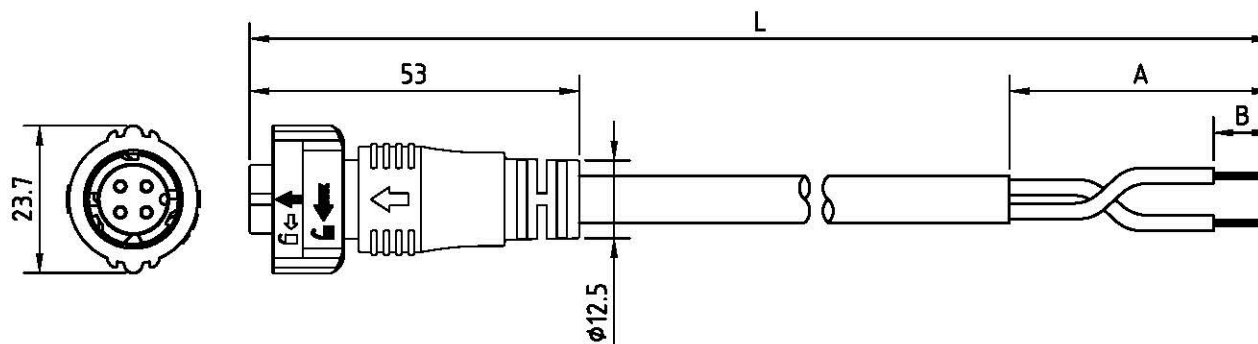


REV.	Description	Date



Specification of connector

Locking system : Quick Push Lock
 Termination : solder
 Shell protection : IP68
 Contact resistance : <10mΩ
 Insulation resistance : >10MΩ

Materials
 Pin contact : brass
 Contact plating : gold
 Female insert : PA
 Ring nut : PA

Specification of cable

Material Jacket	PVC	PUR

RoHS

CONTACT ARRANGEMENT FRONT VIEW (FEMALE)	2P	3P	4AP	4BP	5P	6P	7P	8P
Rated voltage	250V		250V		60V			
Rated current	10A		5A		5A			

Allconnectors

www.allconnectors.de
 Tel.: 0049 711 7009503
 70794 Filderstadt - Germany

info@allconnectors.de
 Fax: 0049 711 7009504
 Kettnerstr. 25

DATE	2019/12/17	PART NO.	D363F2-XP
DWN	GINA	REV.	0
CHK			
UNIT	MM		

ITEM	Type J(J2): female conn. 2-8P
------	-------------------------------