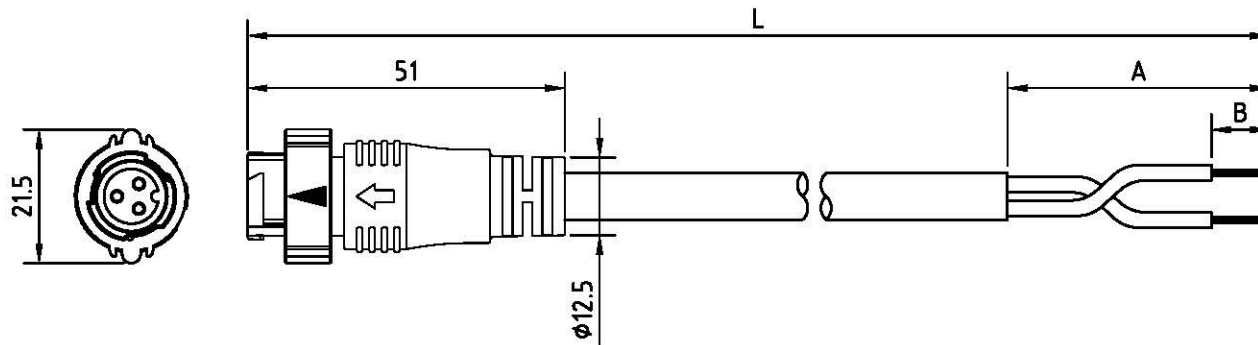


REV.	Description	Date



Specification of connector

Locking system : Quick Push Lock
 Termination : solder
 Shell protection : IP68
 Contact resistance : $<10\text{m}\Omega$
 Insulation resistance : $>10\text{M}\Omega$

Materials
 Pin contact : brass
 Contact plating : gold
 Female insert : PA

Specification of cable

Material Jacket	PVC	PUR

RoHS

CONTACT ARRANGEMENT FRONT VIEW (FEMALE)	2P	3P	4P	5P	6P	7P	8P
Rated voltage	250V		250V		60V		
Rated current	10A		5A		5A		

Allconnectors

www.allconnectors.de
 Tel.: 0049 711 7009503
 70794 Filderstadt - Germany

info@allconnectors.de
 Fax: 0049 711 7009504
 Kettnerstr. 25

DATE	2019/12/17	PART NO.	D363F1-XP
DWN	GINA	REV.	0
CHK			
UNIT	MM		

ITEM	Type J(J1): female conn. 2-8P
------	-------------------------------