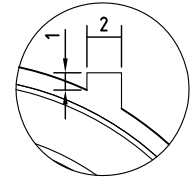


REV.	Description	Date
1	spec. add UL94V-0	2012/3/6

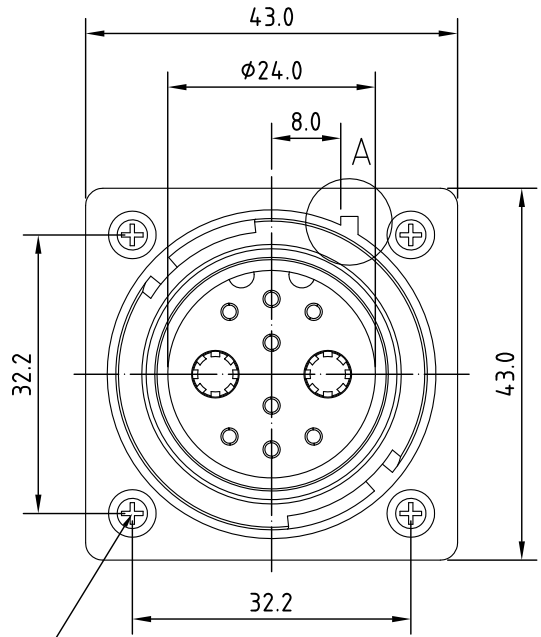
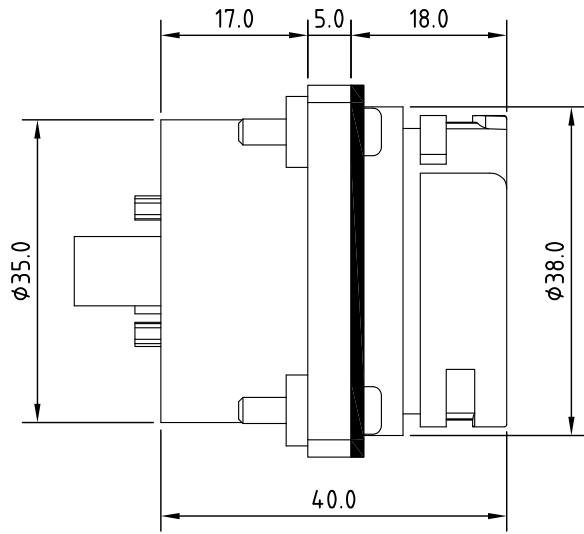
Specification of connector

General Characteristics
 Locking system : snap-in
 Shell protection : IP67

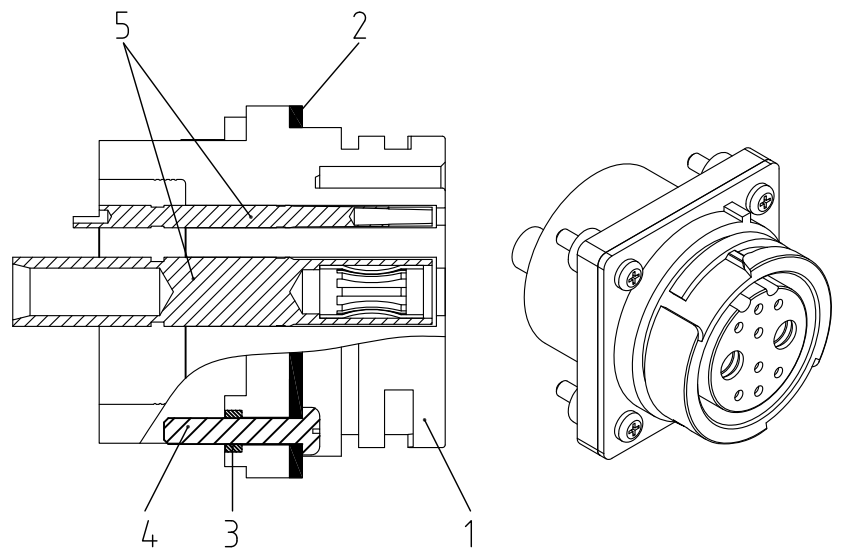
Electronical Characteristics
 Rated voltage : 250V
 Rated current : Large pin 70A
 : Small pin 10A
 Contact resistance : Large pin $\leq 0.5m\Omega$
 : Small pin $\leq 1.5m\Omega$
 Insertion force : $\geq 10Kg$
 Separation force : $\leq 8Kg$
 Durability : 3000 cycle



A SECTION



$\phi 3.2 \times 4$
 Recommended mounting screw #4-40



RoHS
 LEAD FREE
 TOLERANCE .X ± 0.25 .XX ± 0.10

5	Pin	Brass	Gold Ptd.
4	Screw nut	SUS #4-40	
3	Nut	SUS #4-40	
2	Pad	Rubber	
1	Body	PA	UL94V-0
Item	Description	Material	Treat

Allconnectors
 www.allconnectors.eu | info@allconnectors.eu
 Tel. +49 (0)711 / 358 110 20 | Fax +49 (0)711 / 358 110 25

DATE	3/6/2012	PART NO.	SD257F2-XP
DWN	GINA	REV.	1
CHK			
ITEM	High Power	UNIT	MM