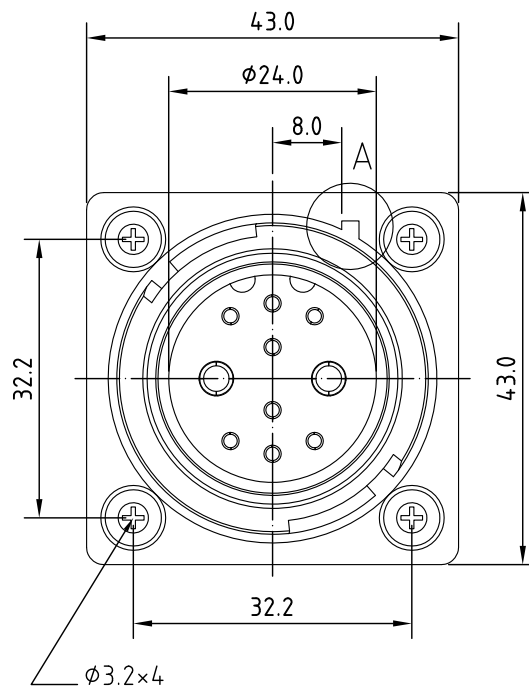
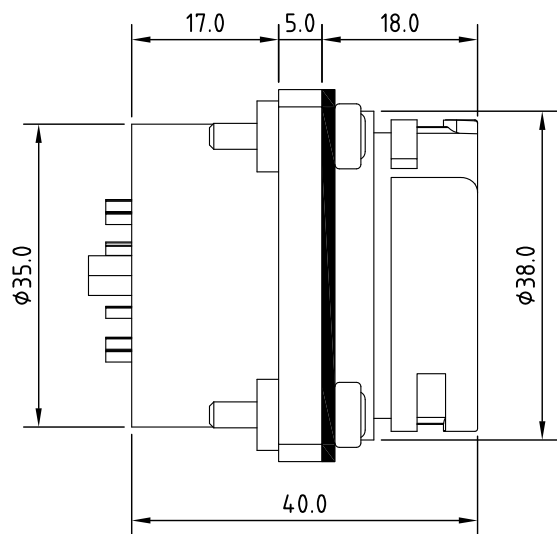


A SECTION



Recommended mounting screw #4-40

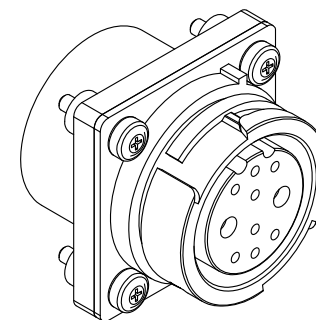
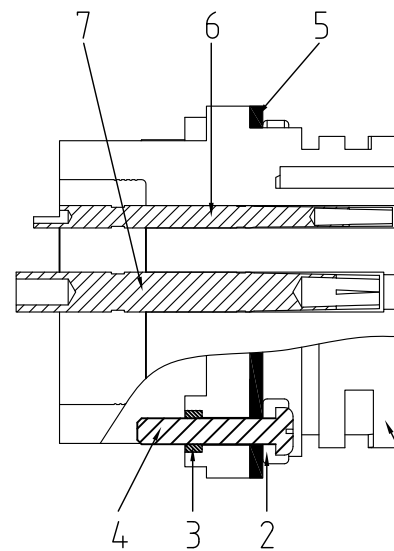
Specification of connector

General Characteristics

Locking system : snap-in
Shell protection : IP67

Electrical Characteristics

Rated voltage : 250V
Rated current : Large pin 40A
 Small pin 10A
Contact resistance : Large pin $\leq 1\text{m}\Omega$
 Small pin $\leq 1.5\text{m}\Omega$



| | | | |
|------|-------------|-----------|-----------|
| 7 | Pin 2 | Brass | Gold Ptd. |
| 6 | Pin 1 | Brass | Gold Ptd. |
| 5 | Pad 2 | Rubber | |
| 4 | Screw | SUS #4-40 | |
| 3 | Nut | SUS #4-40 | |
| 2 | Pad 1 | TPR | |
| 1 | Body | PA | |
| Item | Description | Material | Treat |

RoHS

LEAD FREE

TOLERANCE .X ± 0.25 .XX ± 0.10

Allconnectors

www.allconnectors.eu | info@allconnectors.eu
Tel. +49 (0)711 / 358 110 20 | Fax +49 (0)711 / 358 110 25

DATE

8/16/2011

PART NO.

SD257F1-XP

DWN

GINA

REV.

0

CHK

UNIT

MM

ITEM

High Power