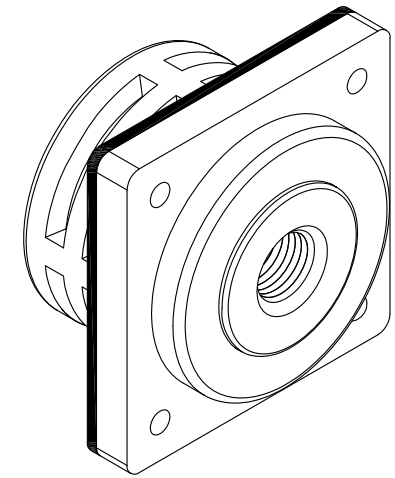
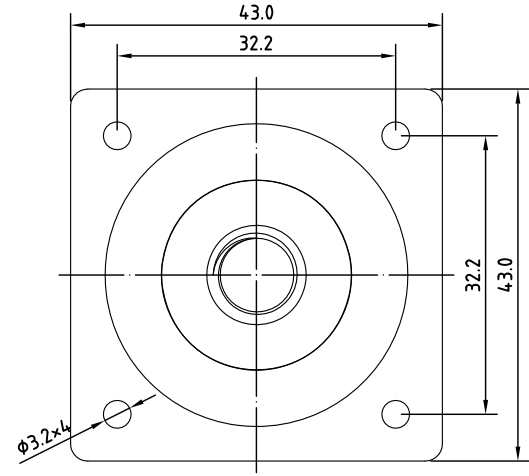
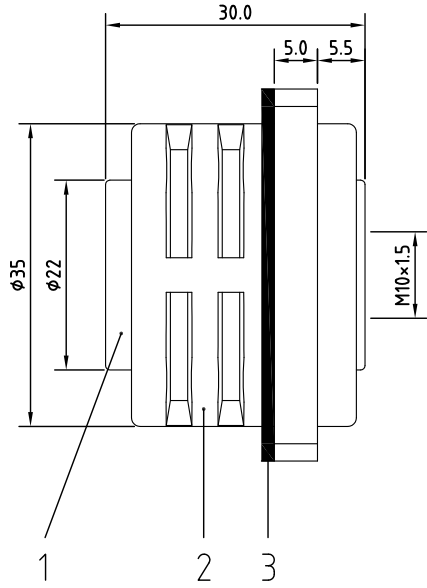


REV.	Description	Date

※Operating temperature: -30°C to 115°C



Part Number Table

part number	Body color
UT-3649-01	Red
UT-3649-02	Black

RoHS  
LEAD FREE  
TOLERANCE .X±0.25 .XX±0.10

3	Pad	Rubber	
2	Body	PA	
1	Metal	Brass	Nickel Ptd.
Item	Description	Material	Treat



www.allconnectors.eu | info@allconnectors.eu  
Tel. +49 (0)711 / 358 110 20 | Fax +49 (0)711 / 358 110 25

DATE	11/8/2011	PART NO.	3649-XX
DWN	GINA	REV.	0
CHK			
UNIT	MM		

ITEM	High Power
------	------------