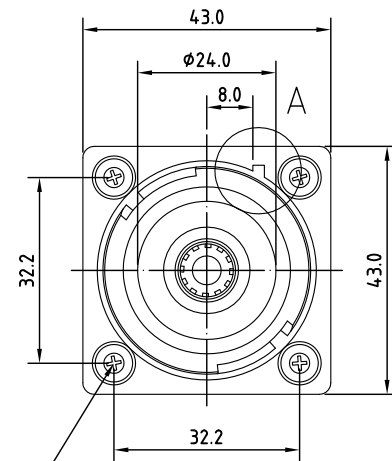
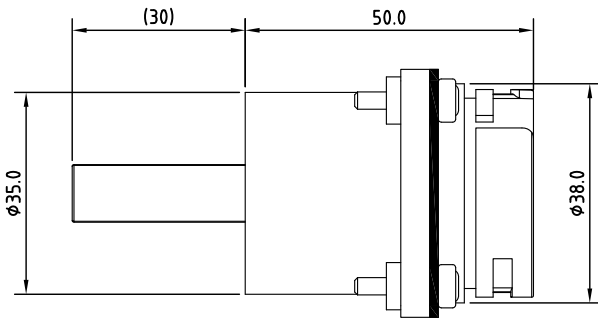


A SECTION



φ3.2×4

Recommended mounting screw #4-40

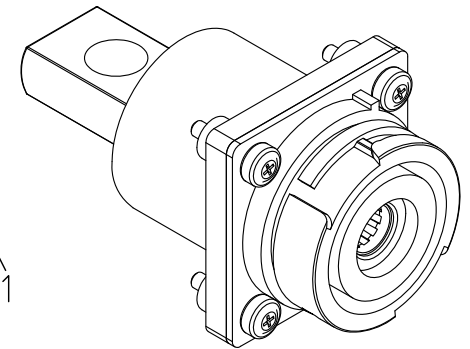
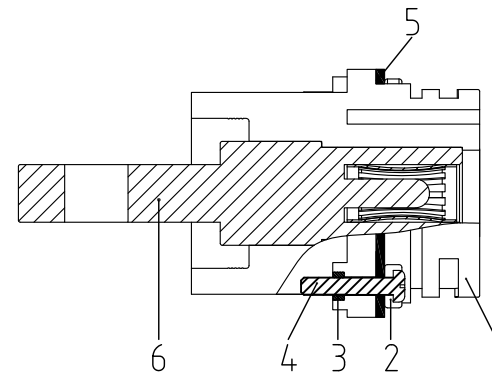
Specification of connector

General Characteristics

Locking system : snap-in
Shell protection : IP67

Electronical Characteristics

Rated voltage : 250V
Rated current : 300A
Contact resistance : ≤0.15mΩ



6	PIN	Brass	Gold Ptd.
5	Pad 2	Rubber	
4	Screw	SUS #4-40	
3	Nut	SUS #4-40	
2	Pad 1	TPR	
1	Body	PA	
Item	Description	Material	Treat

RoHS

LEAD FREE

TOLERANCE .X±0.25 .XX±0.10

Allconnectors

www.allconnectors.eu | info@allconnectors.eu

Tel. +49 (0)711 / 358 110 20 | Fax +49 (0)711 / 358 110 25

DATE

8/16/2011

PART NO.

3622

DWN

GINA

REV.

0

CHK

UNIT

MM

ITEM

High Power