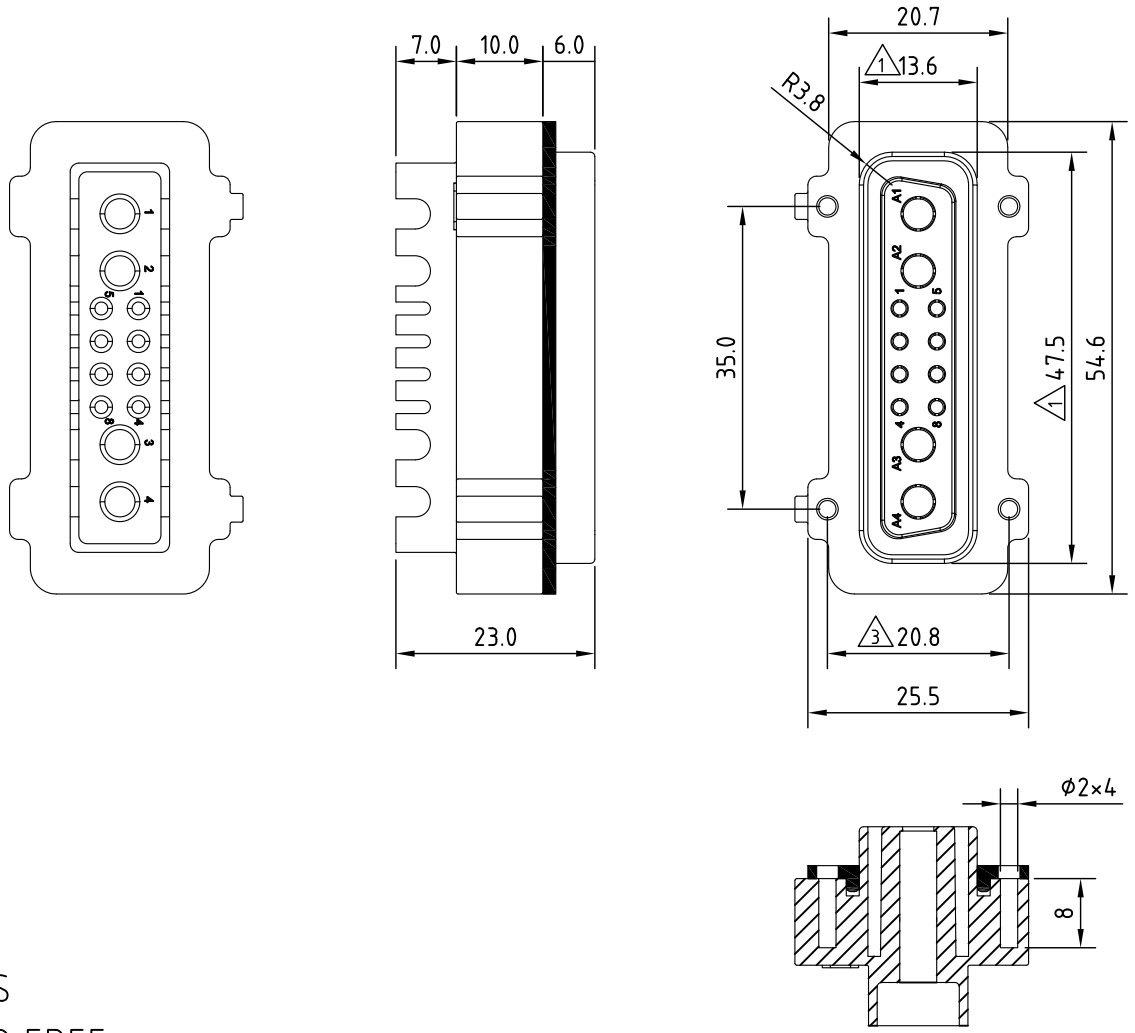
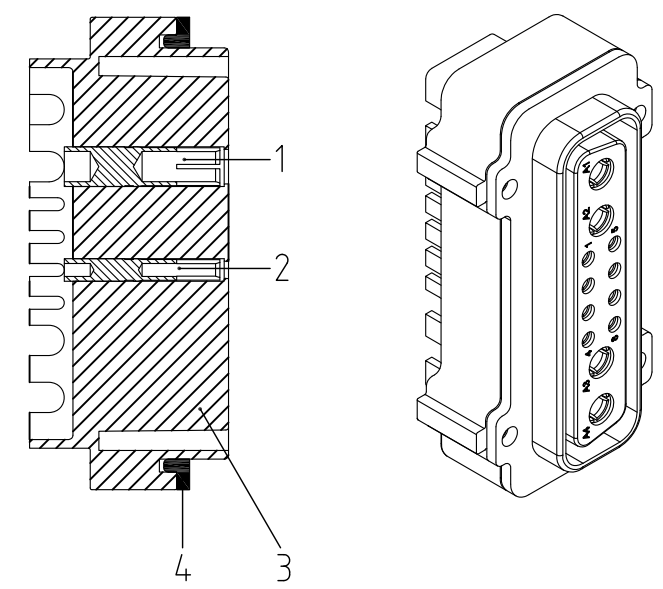


REV.	Description	Date
1	add dimensions	2012/2/7
2	spec. revise	2012/4/30
3	dimensions revise	2012/5/4



Electronical Characteristics

Rated voltage : 250V
 Rated current : Large pin 40A
 : Small pin 10A
 Contact resistance : Large pin $\leq 1m\Omega$
 : Small pin $\leq 3m\Omega$ Δ



RoHS
 LEAD FREE
 TOLERANCE .X \pm 0.25 .XX \pm 0.10

4	Pad	Rubber	
3	Body	PA	
2	PIN 2	Brass	Gold Ptd.
1	PIN 1	Brass	Gold Ptd.
Item	Description	Material	Treat

Allconnectors

www.allconnectors.eu | info@allconnectors.eu
 Tel. +49 (0)711 / 358 110 20 | Fax +49 (0)711 / 358 110 25

DATE	5/4/2012	PART NO.	3589-X
DWN	GINA	REV.	3
CHK			
ITEM	High Power	UNIT	MM