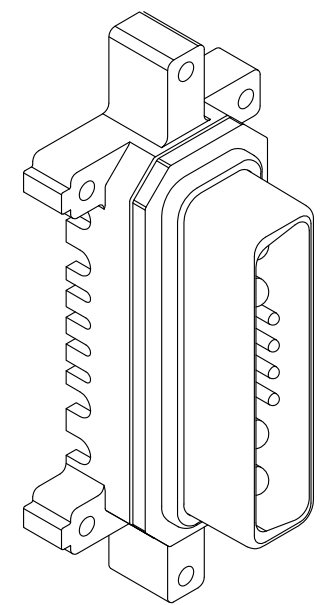
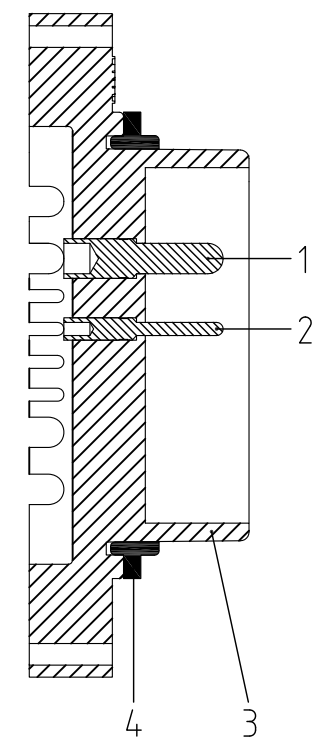
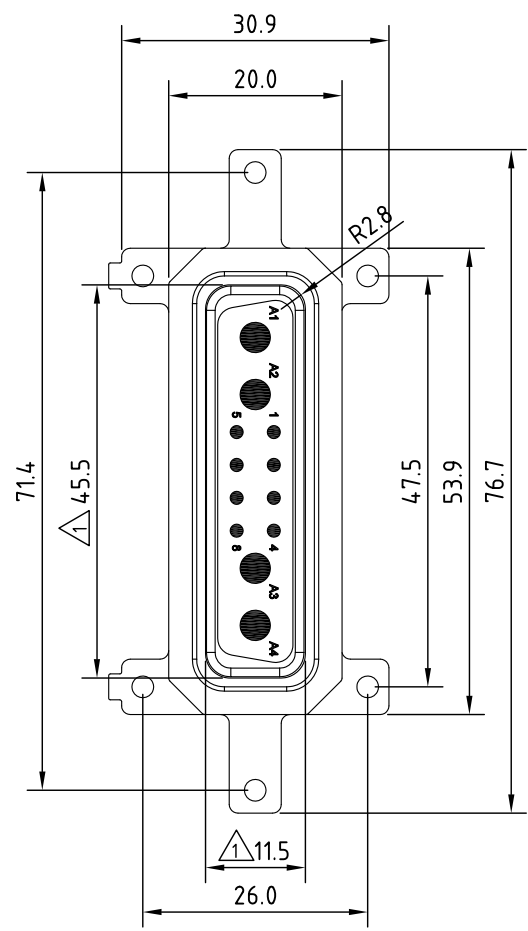
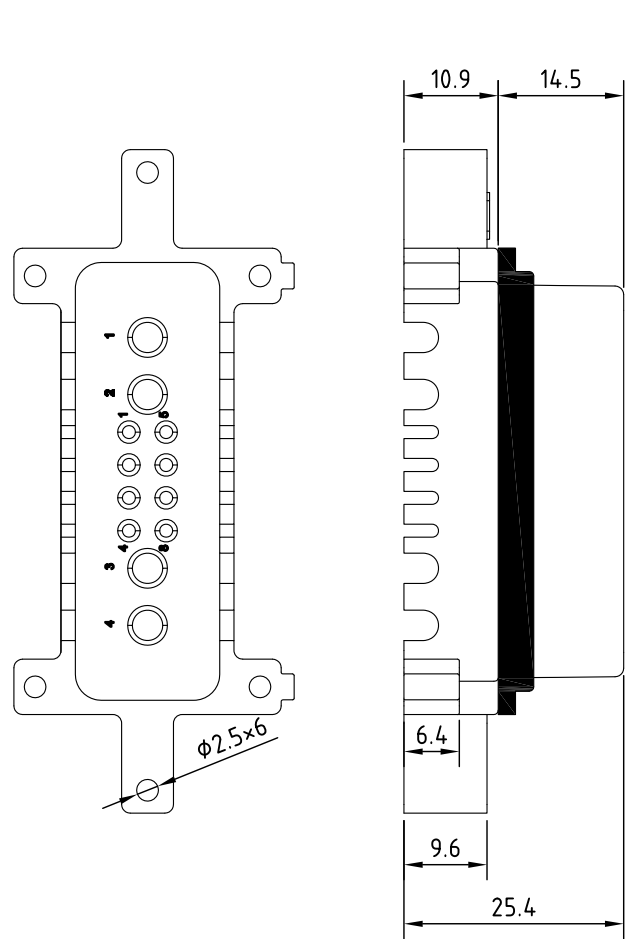


REV.	Description	Date
1	add dimensions	2012/2/7
2	spec. revise	2012/4/30

### Electronical Characteristics

Rated voltage : 250V  
 Rated current : Large pin 40A  
                   : Small pin 10A  
 Contact resistance : Large pin  $\leq 1m\Omega$   
                           : Small pin  $\leq 3m\Omega$   $\Delta 2$



RoHS  
 LEAD FREE  
 TOLERANCE .X $\pm$ 0.25 .XX $\pm$ 0.10

4	Pad	Rubber	
3	Body	PA	
2	PIN 2	Brass	Gold Ptd.
1	PIN 1	Brass	Gold Ptd.
Item	Description	Material	Treat

**Allconnectors**

www.allconnectors.eu | info@allconnectors.eu  
 Tel. +49 (0)711 / 358 110 20 | Fax +49 (0)711 / 358 110 25

DATE	4/30/2012	PART NO.	3588-X
DWN	GINA	REV.	2
CHK			
ITEM	High Power	UNIT	MM