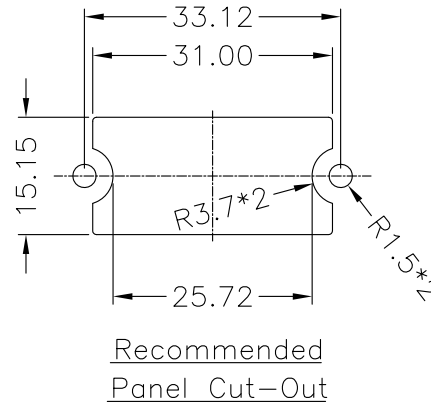
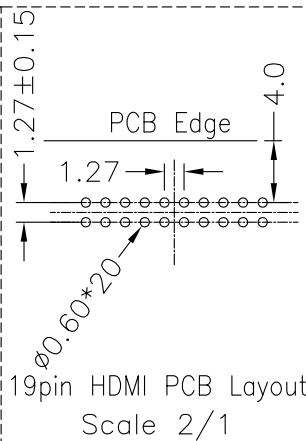
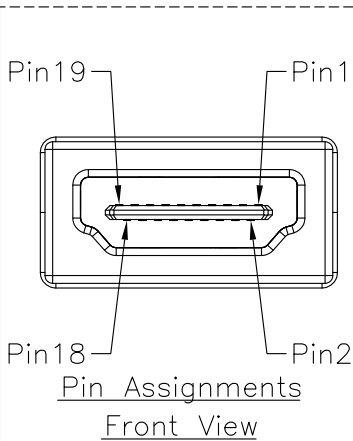
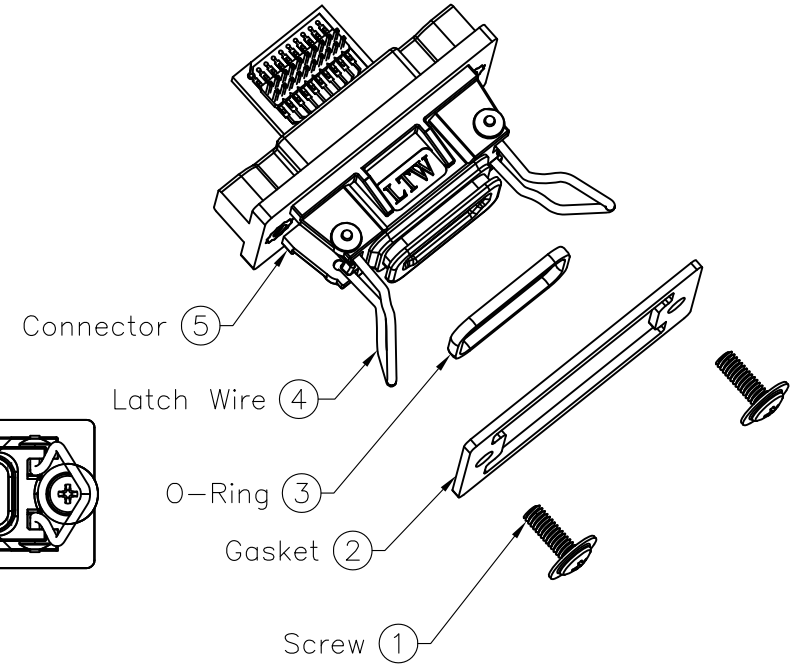
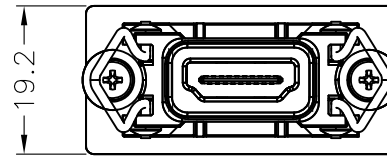
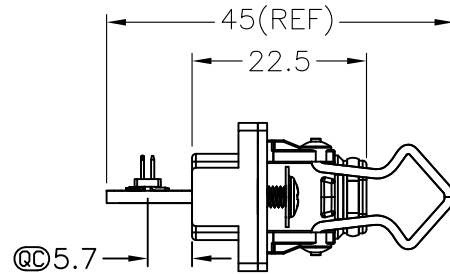
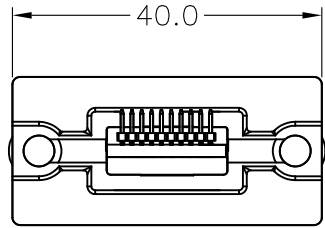
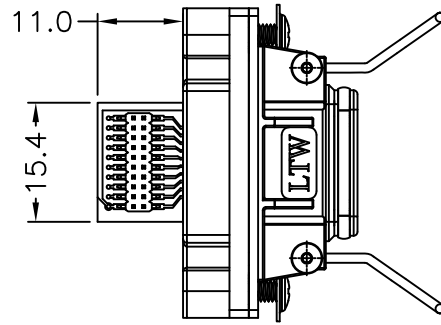


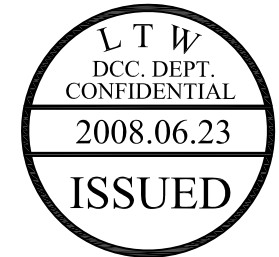


5	6	7	8
REV. A	ECN NO. Initial Release	DATE 2008/06/19	SIGN Jimmy
			DESCRIPTION Rev.10 Change To Rev.A



Note:

- * @C Important Dimension.
- * Waterproof Rate: IP67
- * Connector: 19Pin HDMI Jack
- * Pin: Copper Alloy, Gold Plated
- * Gasket: Black, EPDM
- * Oring: Black, Silicon
- * Latch Wire: Stainless Steel
- * For Panel Thickness Min 2.0mm
- * For Panel Thickness Max 4.0mm



UNIT:mm	
TOLERANCE	
.X	±0.25
.XX	±0.1
.XXX	±0.05
ANGLES	±1°

TITLE	HDMI Panel Latch 19 F Conn F Pin		
SCALE	Free	SHEET	1 OF 1
REV. A	SIZE A4	@C :Inspection Item	

LTW
Allconnectors

www.allconnectors.eu | info@allconnectors.eu
Tel. +49 (0)711 / 358 110 20 | Fax +49 (0)711 / 358 110 25

ITEM NO	LTWHJ-19PFFR-QS7001
DWG NO	LTWHJ-19PFFR-QS7001
CUSTOMER	

DRAWN BY	Jimmy	DATE	2008/06/19
CHECKED BY	Allan	DATE	2008/06/20
APPROVED BY	Lion	DATE	2008/06/20

THIS DOCUMENT IS SUBJECT TO CHANGE WITHOUT NOTICE. IT IS CONFIDENTIAL AND A PROPERTY OF LTW. DISCLOSURE TO THIRD PARTY HAS TO BE AUTHORIZED BY LTW.