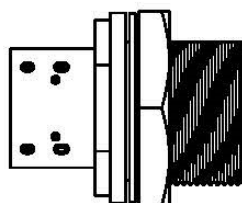
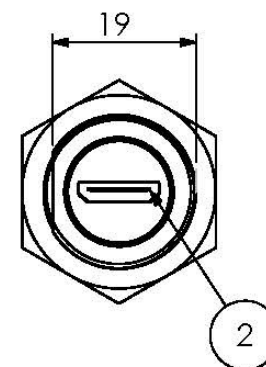
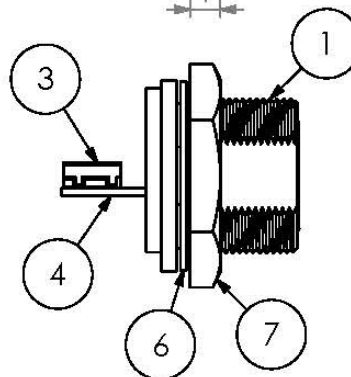
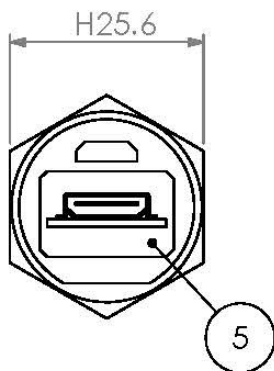
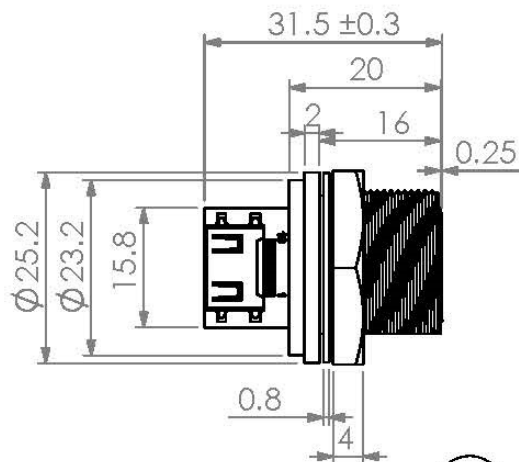
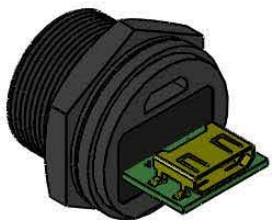


**PROPRIETARY AND CONFIDENTIAL:**

THE INFORMATION CONTAINED IN THIS DRAWING IS THE SOLE PROPERTY OF HTP ASIA TECHNOLOGY CO., LTD. .  
 ANY REPRODUCTION IN PART OR AS A WHOLE WITHOUT THE WRITTEN PERMISSION OF HTP ASIA TECHNOLOGY CO., LTD. IS PROHIBITED.



**Material:**

1. Connector Insert : Nylon+GF. Black.
2. HDMI C Type Jack SMT Side Entry Connector.
3. HDMI C Type Jack SMT Side Entry Connector.
4. PCB : FR4. 1.0mm. 4 Layer.
5. Glue : Black.
6. Gasket : EPDM. Black.
7. Hex Nut : Nylon+GF. Black.

**All Connectors**

www.allconnectors.de  
 Tel.: 0049 711 7009303  
 70/94 Filderstadt Germany

Info@allconnectors.de  
 Fax: 0049 711 7009304  
 Kettelerstr. 25

NAME	SIGNATURE	DATE
Jack	<i>Jack</i>	Apr/05/2017
Nick	<i>Nick</i>	Apr/05/2017

UNLESS OTHERWISE SPECIFIED:  
 DIMENSIONS ARE IN MILLIMETERS  
 SURFACE FINISH:  
 TOLERANCES: ×±0.25 . ××±0.1  
 ××× ±0.05  
 ANGULAR: ±1

TITLE:  
**C size HDMI C Type Female Connector  
 Rear Mount Circular Flange  
 Panel Connector**

DWG NO.	<b>HDMICC-P3CSJ</b>	Rev.
		<b>A</b>