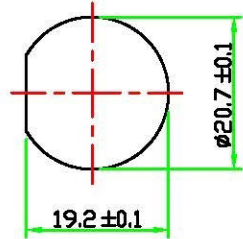
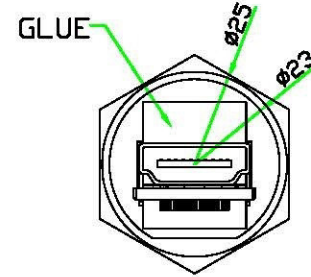
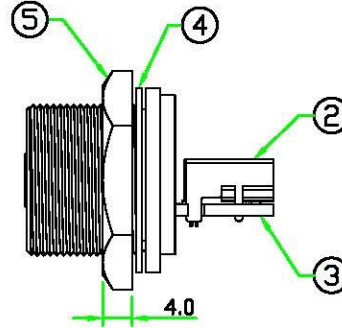
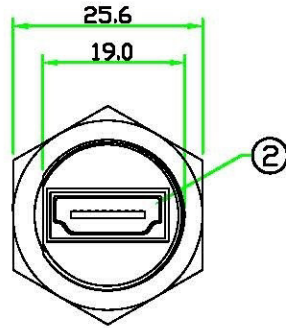
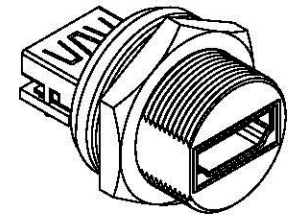
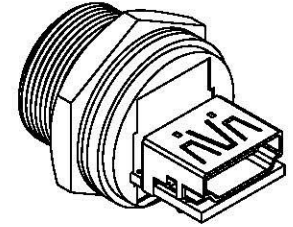
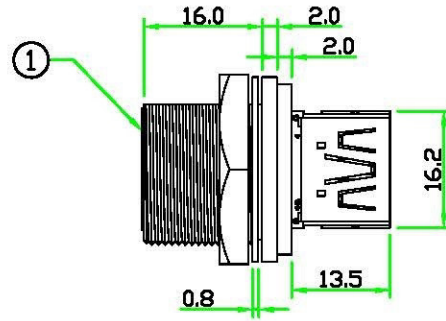


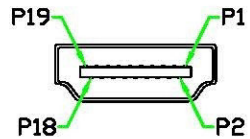
PROPRIETARY AND CONFIDENTIAL
 THE INFORMATION CONTAINED IN THIS DRAWING IS THE SOLE PROPERTY OF HTP ASIA TECHNOLOGY CO., LTD. .
 ANY REPRODUCTION IN PART OR AS A WHOLE WITHOUT THE WRITTEN PERMISSION OF HTP ASIA TECHNOLOGY CO., LTD. IS PROHIBITED.

RoHS

REV	DESCRIPTION	DATE
A	ISSUE	Jan/10/2013
B	Change P/N NO.	May/09/2014



RECOMMEND
 PANEL CUT OFF



PIN ASSIGNMENT
 FRONT VIEW(前視圖)

OLD P/N:HDMIAC-P3CRJ
 (原型號)

5	HEX NUT	NYLON+GF.	BLACK	1	
4	GASKET	EPDM.	BLACK	1	
3	PCB	FR4 . DOUBLE SIDE, 1.6mm THICKNESS.		1	
2	CONNECTOR	HDMI A TYPE FEMALE CONNECTOR.		2	
1	BODY	HDMI A TYPE FEMALE CONNECTOR BODY. NYLON+GF.	BLACK	1	
No.	PART NAME	DESCRIPTION	COLOR	Q'TY	REMARKS

All Connectors	
www.allconnectors.de Tel.: 0049 711 7009503 70791 Filderstadt - Germany	info@allconnectors.de Fax: 0049 711 7009504 Kettenerstr. 25
UNIT: mm SCALE 1:1	TITLE : HDMI A TYPE FEMALE C SIZE SCREW TYPE CIRCULAR FLANGE PANEL WITH HDMI A TYPE FEMALE
UNLESS OTHERWISE SPECIFIED TOLERANCES: X ±0.25 XX ±0.1 XXX ±0.05 ANGLE ±1°X REV. SHEET	P/N: HDMIAC-P3CSJ DR. Patty CH. ERIC AP.
B	1/1
DWG.NO: HDMIAC-P3CSJ	