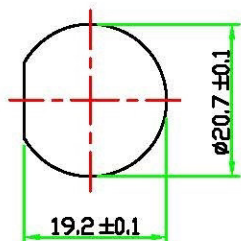
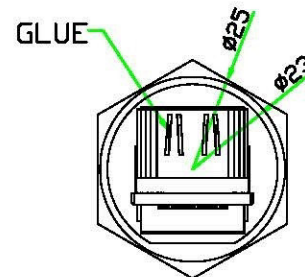
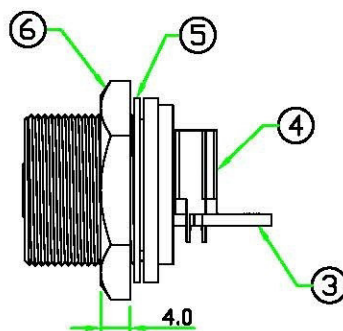
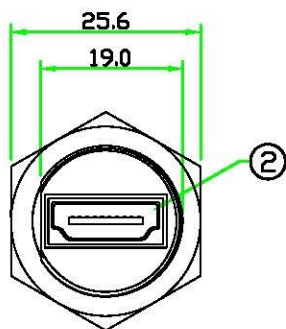
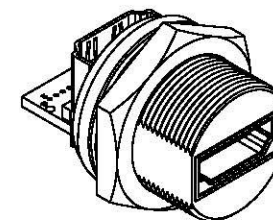
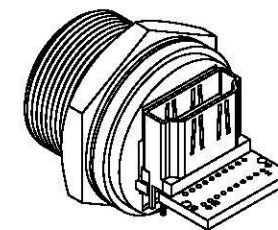
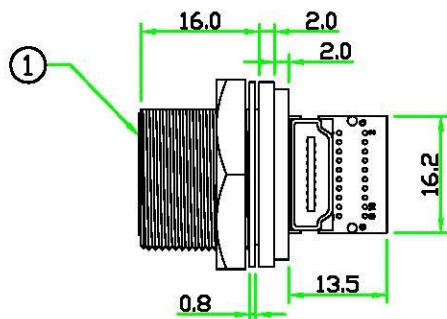


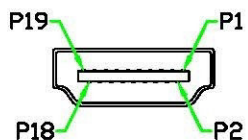
PROPRIETARY AND CONFIDENTIAL
 THE INFORMATION CONTAINED IN THIS DRAWING IS THE SOLE PROPERTY OF HTP ASIA TECHNOLOGY CO., LTD. .
 ANY REPRODUCTION IN PART OR AS A WHOLE WITHOUT THE WRITTEN PERMISSION OF HTP ASIA TECHNOLOGY CO., LTD. IS PROHIBITED.

RoHS

REV	DESCRIPTION	DATE
A	ISSUE	Jan/10/2013
B	Change P/N NO.	May/09/2014



RECOMMEND
 PANEL CUT OFF



PIN ASSIGNMENT
 FRONT VIEW(前視圖)

OLD P/N:HDMIAC-P3CSJ
 (原型號)

6	HEX NUT	NYLON+GF.	BLACK	1	
5	GASKET	EPDM.	BLACK	1	
4	CONNECTOR	HDMI A TYPE FEMALE S/T PCB CONNECTOR.		1	
3	PCB	FR4 . DOUBLE SIDE, 1.6mm THICKNESS.		1	
2	CONNECTOR	HDMI A TYPE FEMALE R/A CONNECTOR.		1	
1	BODY	HDMI A TYPE FEMALE CONNECTOR BODY. NYLON+GF.	BLACK	1	
No.	PART NAME	DESCRIPTION	COLOR	Q'TY	REMARKS

Allconnectors

www.allconnectors.de info@allconnectors.de
 Tel.: 0049 711 7065003 Fax: 0049 711 7065004
 70794 Filberstadt - Germany Kettnerstr. 25

UNIT: mm
 SCALE 1:1

TITLE : HDMI A TYPE FEMALE C SIZE
 SCREW TYPE CIRCULAR FLANGE PANEL
 WITH HDMI A TYPE FEMALE

UNLESS OTHERWISE
 SPECIFIED TOLERANCES:
 X ± 0.25 XX ± 0.1
 XXX ± 0.05 ANGLE $\pm 1\%$

P/N:
 HMIAC-P3CRJ

DR. Patty

CH. ERIC

REV. B SHEET 1/1

DWG.NO:
 HMIAC-P3CRJ

AP.