

PROPRIETARY AND CONFIDENTIAL
 THE INFORMATION CONTAINED IN THIS DRAWING IS THE SOLE PROPERTY OF HTP ASIA TECHNOLOGY CO., LTD. .
 ANY REPRODUCTION IN PART OR AS A WHOLE WITHOUT THE WRITTEN PERMISSION OF HTP ASIA TECHNOLOGY CO., LTD. IS PROHIBITED.

RoHS **IP67**

REV	DESCRIPTION	DATE
A	ISSUE	Jan/10/2013

Notes:

Rating: 40V DC / 0.5 A DC.

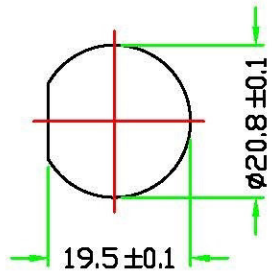
Contact Resistance: 30mΩ MAX

Insulation Resistance: 100 mΩ MIN

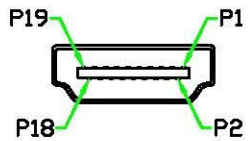
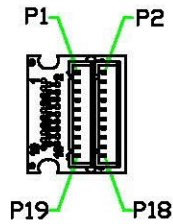
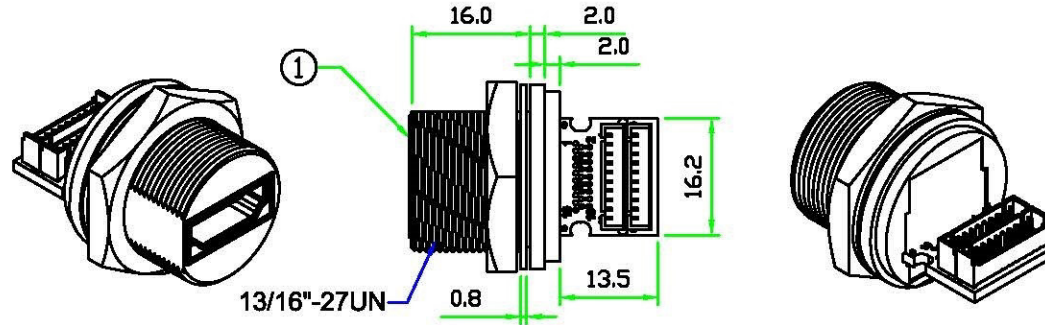
Withstand Voltage: Unmated connector, apply 500V AC (rms.) for 1 minute between adjacent terminal or ground.

Operating Temperature: -25°C ~ +85°C.

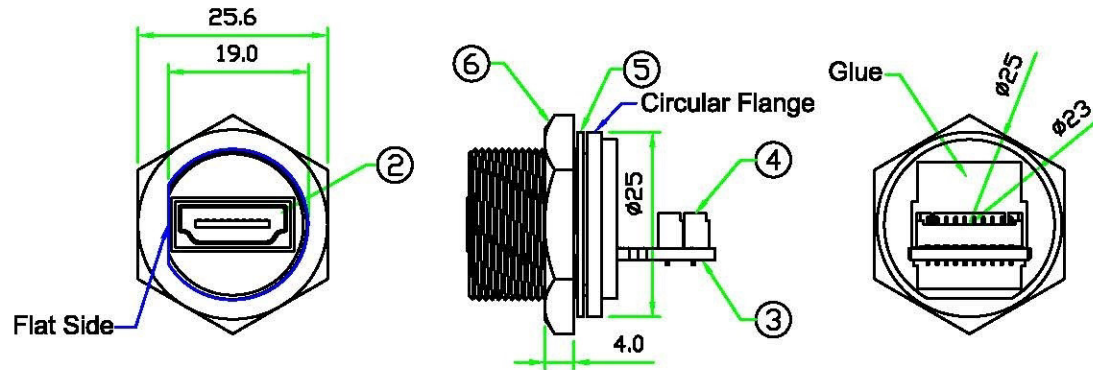
Thermal Shock: 10 cycles of -55°C for 30 minutes
 10 cycles of +85°C for 30 minutes



RECOMMEND
 PANEL CUT OFF



PIN ASSIGNMENT
 FRONT VIEW(前視圖)



6	HEX NUT	NYLON+GF.	BLACK	1	RJ45CUSB-NUT
5	GASKET	EPDM.	BLACK	1	CCA-G
4	WAFER	PITCH 1.25 STRAIGHT PCB 10P WAFER.	L.BROWN	2	CW1251SP-10
3	PCB	FR4 . DOUBLE SIDE, 1.6mm THICKNESS.		1	HDMI 19F RA-PCB
2	CONNECTOR	HDMI A TYPE FEMALE CONNECTOR.		1	JCY0051-1U-1
1	BODY	HDMI A TYPE FEMALE CONNECTOR BODY. NYLON+GF.	BLACK	1	HDMIAC-PC
No.	PART NAME	DESCRIPTION	COLOR	Q'TY	REMARKS

Allconnectors
 www.allconnectors.de
 Tel.: 0049 711 7006000
 70794 Filderstadt - Germany
 info@allconnectors.de
 Fax: 0049 711 7006004
 Kettenerstr. 25

UNIT: mm
SCALE: 1:1

TITLE: HDMI A TYPE FEMALE C SIZE
 SCREW TYPE CIRCULAR FLANGE PANEL
 WITH STRAIGHT WAFER

UNLESS OTHERWISE SPECIFIED TOLERANCES:
 X ±0.25 XX ±0.1
 XXX ±0.05 ANGLE ±1°X

P/N: HDMIAC-P3C13
DR. Stanley
CH. Michael

DWG.NO: HDMIAC-P3C13
AP.

REV. A **SHEET 1/1**