

PROPRIETARY AND CONFIDENTIAL
 THE INFORMATION CONTAINED IN THIS DRAWING IS THE SOLE PROPERTY OF HTP ASIA TECHNOLOGY CO., LTD. .
 ANY REPRODUCTION IN PART OR AS A WHOLE WITHOUT THE WRITTEN PERMISSION OF HTP ASIA TECHNOLOGY CO., LTD. IS PROHIBITED.

RoHS **IP67**

REV	DESCRIPTION	DATE
A	ISSUE	Jan/10/2013

Notes:

Rating: 40V DC / 0.5 A DC.

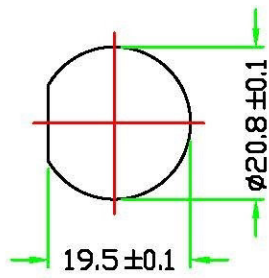
Contact Resistance: 30mΩ MAX

Insulation Resistance: 100 mΩ MIN

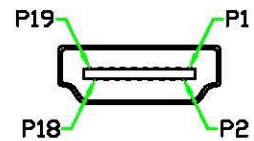
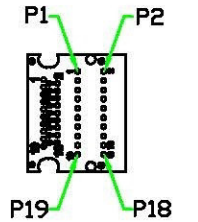
Withstand Voltage: Unmated connector, apply 500V AC (rms.) for 1 minute between adjacent terminal or ground.

Operating Temperature: -25°C ~ +85°C.

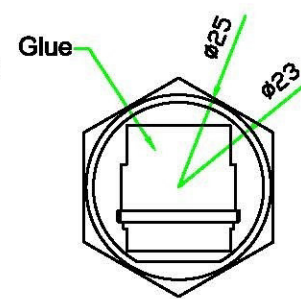
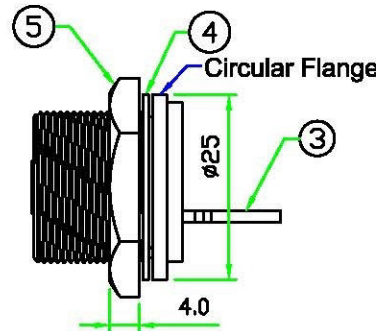
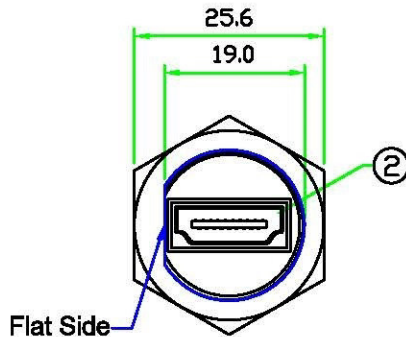
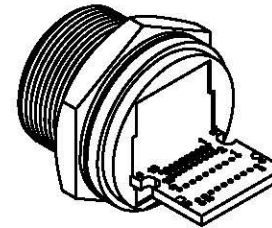
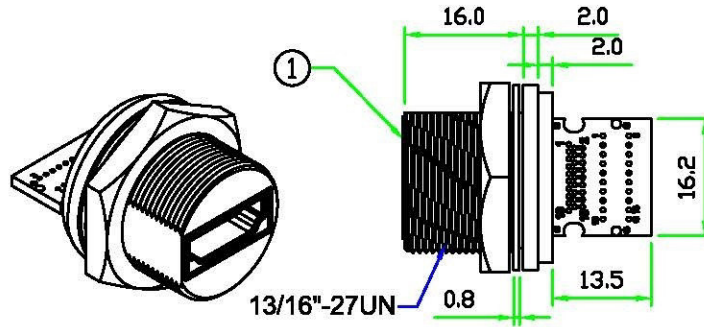
Thermal Shock: 10 cycles of -55°C for 30 minutes
 10 cycles of +85°C for 30 minutes



RECOMMEND
 PANEL CUT OFF



PIN ASSIGNMENT
 FRONT VIEW(前視圖)



5	HEX NUT	NYLON+GF.	BLACK	1	RJ45CUSB-NUT
4	GASKET	EPDM.	BLACK	1	CCA-G
3	PCB	FR4 . DOUBLE SIDE, 1.6mm THICKNESS.		1	HDMI 19F RA-PCB
2	CONNECTOR	HDMI A TYPE FEMALE CONNECTOR.		1	JCY0051-1U-1
1	BODY	HDMI A TYPE FEMALE CONNECTOR BODY. NYLON+GF.	BLACK	1	HDMIAC-PC
No.	PART NAME	DESCRIPTION	COLOR	Q'TY	REMARKS

Allconnectors
www.allconnectors.de
 Tel: 0049 711 7009503
 70794 Bilderstadt Germany info@allconnectors.de
 Fax: 0049 711 7009501
 Kottenerstr. 25

	UNIT: mm	TITLE :	HDMI A TYPE FEMALE C SIZE SCREW TYPE CIRCULAR FLANGE PANEL WITH BARE PCB
SCALE	1:1	P/N:	HDMIAC-P3C10
UNLESS OTHERWISE SPECIFIED TOLERANCES: X ±0.25 XX ±0.1 XXX ±0.05 ANGLE ±1°X		DWG.NO:	HDMIAC-P3C10
REV. A	SHEET 1/1	DR.	Stanley
		CH.	Michael
		AP.	