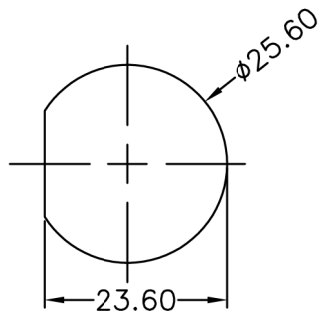
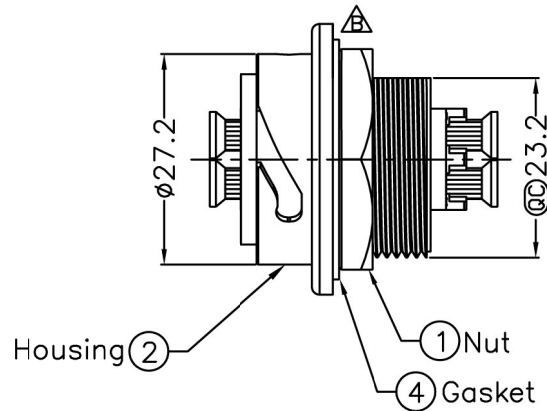
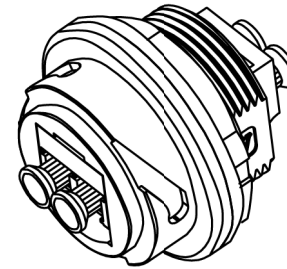
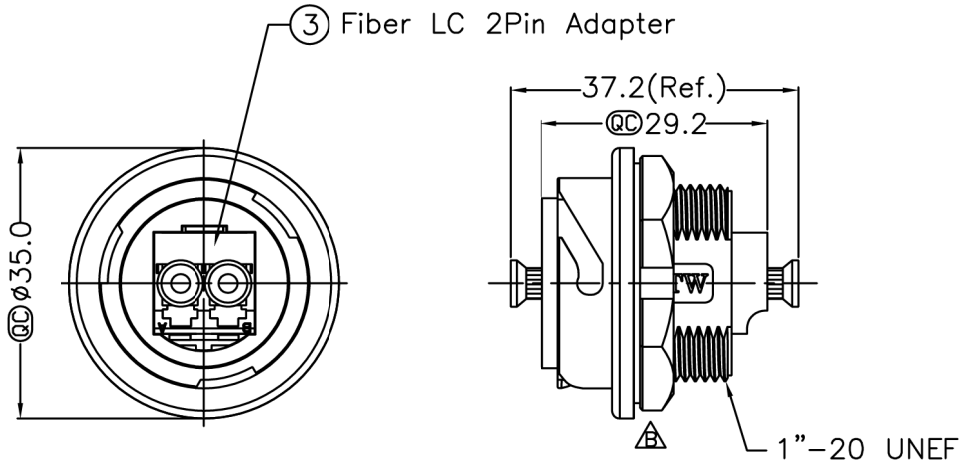


REV.	ECN NO.	DATE	SIGN	DESCRIPTION
A		2008/11/19	Simon Hung	Change the Rev.01 to Rev.A
B	LEN-931016	2009/03/25	Simon Hung	Delete Dim. 13.8



Recommended Panel Cut-Out

Note:

- * @C Important Dimension.
- * Waterproof Rate: IP67
- * Nut: Nylon+GF UL94V-0,,Black
- * Housing: PPO UL94V-0,Black
- * Fibre Adapter: LC 2P Adapter
- * Gasket: Silicone UL94V-0,Gary
- * For Panel Thickness Max 4.0mm
- * Recommend Force : 8~10kg-cm

UNIT:mm	
TOLERANCE	
.X	±0.25
.XX	±0.1
.XXX	±0.05
ANGLES	±1°

TITLE OPTICAL FIBER PANEL TYPE 2PIN LC ADAPTER CONN.			
SCALE	Free	SHEET	1 OF 1
REV.	B	SIZE	A4
@C :Inspection Item			



ITEM NO	LTWFB-00RLFJ-LC7001
DWG NO	LTWFB-00RLFJ-LC7001
CUSTOMER	

DRAWN BY	Simon	DATE	2009/03/25
CHECKED BY	Kathy	DATE	2009/03/25
APPROVED BY	Simon	DATE	2009/03/25

THIS DOCUMENT IS SUBJECT TO CHANGE WITHOUT NOTICE. IT IS CONFIDENTIAL AND A PROPERTY OF LTW. DISCLOSURE TO THIRD PARTY HAS TO BE AUTHORIZED BY LTW.