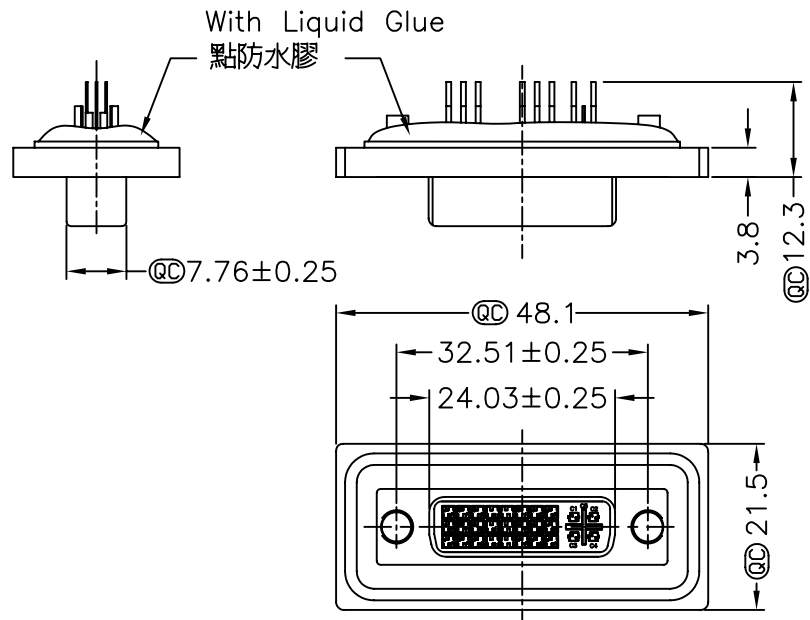
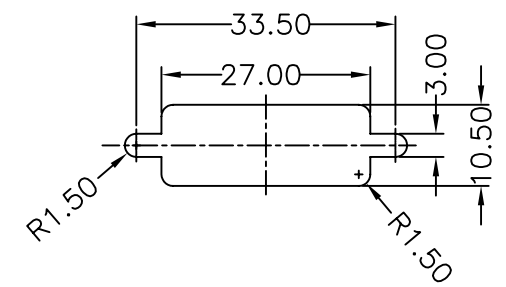


5	6	7	8
REV. A	ECN NO.	DATE 2006/03/22	SIGN DAVID
			DESCRIPTION Released Rev.A

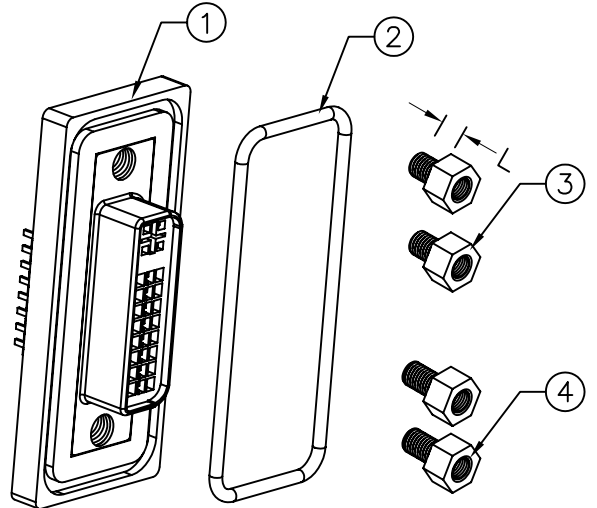


Screw L=5.0 For Panel Thickness Under 1.2mm
適用板厚為1.2mm以下

Screw L=6.0 For Panel Thickness Between 1.2~2.0mm
適用板厚為1.2~2.0mm



Recommended Panel Cut-Out
建議挖孔尺寸



- Note:
- * Waterproof Rate : IP68
IP68:1M of depth of water 24 hours
(防水等級 IP68)
(IP68:1米水深 24小時)
 - * @C Important Dimension.
(@C 為重點尺寸)
 - * Do Mating Test After Glued
點膠後, 須作對插測試
 - * DVI Ass'y : Black Core
 - * Gasket : Light Blue, Silicone
 - * Screw : Nickel Plated, #4-40 UNC

UNIT:mm	
TOLERANCE	
.X	±0.25
.XX	±0.1
.XXX	±0.05
ANGLES	±1°

TITLE Female DVI Connector(18+5)	
SCALE FREE	SHEET 1 OF 1
REV. A	SIZE A4
@C : Inspection Item	

LTW
All connectors

www.allconnectors.eu | info@allconnectors.eu
Tel. +49 (0)711 / 358 110 20 | Fax +49 (0)711 / 358 110 25

ITEM NO LTWDIS-23PFFS-SL8001	DRAWN BY DAVID SHIH
DWG NO LTWDIS-23PFFS-SL8001	CHECKED BY SIMON HUNG
CUSTOMER	APPROVED BY CALVIN

DATE 2006/03/27
DATE 2006/03/27
DATE 2006/03/27

THIS INFORMATION IS CONFIDENTIAL AND IS DISCLOSED TO YOU ON CONDITION THAT NO FURTHER DISCLOSURE IS MADE BY YOU TO OTHER THAN LTM PERSONNEL WITHOUT AUTHORIZATION FROM LTM CORP.