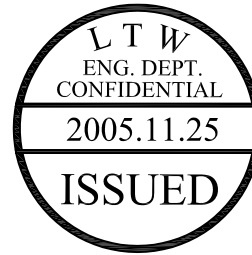
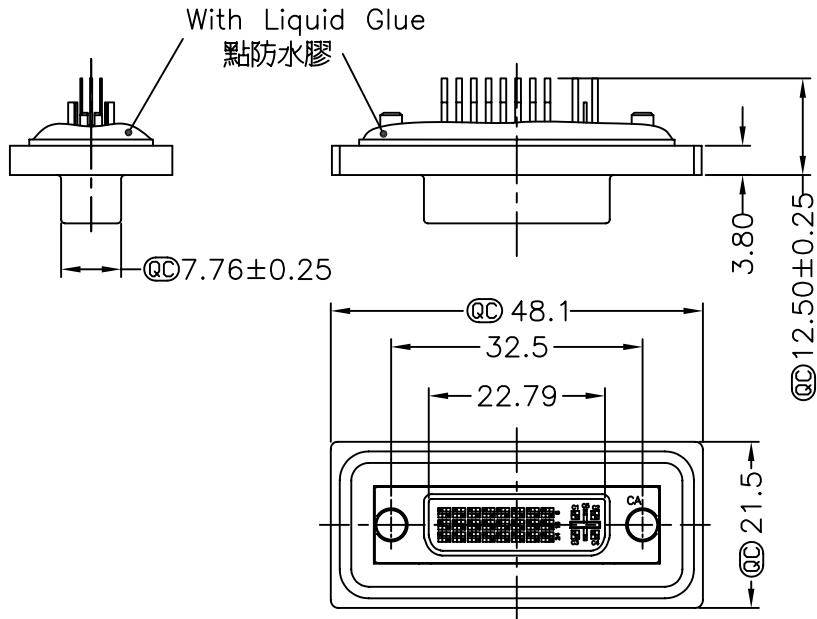


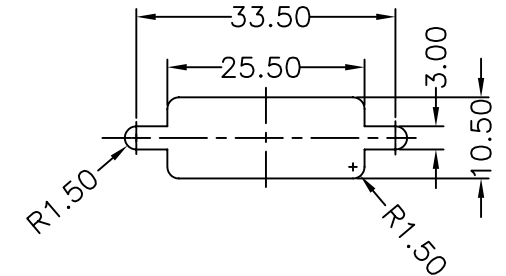
REV. A	ECN NO.	DATE 2005/11/16	SIGN DAVID	DESCRIPTION Released Rev.A



Panel Thickness  
面板厚度 X(Max)

Screw L=5.0 For Panel Thickness Under 1.2mm  
適用板厚為1.2mm 以下

Screw L=6.0 For Panel Thickness Between 1.2~2.0mm  
適用板厚為1.2~2.0mm



Recommended Panel Cut-Out  
建議挖孔尺寸

Note:

- ① Important Dimension. ( ① 為重點尺寸 )
- Waterproof Rate : IP68  
IP68:1M of depth of water 24 hours ( 防水等級 IP68 )  
( IP68:1米水深 24小時 )
- Add glue can't highly exceed pin  
( 點膠高度不得蓋過 pin針 )
- Do Mating Test After Glued  
點膠後, 須作對插測試

4	SCREW		#4-40 UNC	2	JSI04400401
3	SCREW		#4-40 UNC	2	JSI04401101
2	GASKET	LIGHT BLUE	SILICONE	1	DDR0023SI70
1	DVI ASS'Y		DVI 24+5 Female(Black Core)		ZSE00100556
NO.	NAME	COLOR	SPECIFICATION	QTY	NOTE

UNIT:mm		TITLE Female DVI2S Connector(24+5)
TOLERANCE .X ±0.25 .XX ±0.1 .XXX ±0.05 ANGLES ±1°	SCALE FREE	SHEET 1 OF 1
REV. A	SIZE A4	① : Inspection Item

**LTW**  
**Allconnectors**  
www.allconnectors.eu | info@allconnectors.eu  
Tel. +49 (0)711 / 358 110 20 | Fax +49 (0)711 / 358 110 25

ITEM NO LTWDID-29PFFS-SL8001	DRAWN BY DAVID SHIH	DATE 2005/11/22
DWG NO LTWDID-29PFFS-SL8001	CHECKED BY SIMON HUNG	DATE 2005/11/22
CUSTOMER	APPROVED BY MAX HUNG	DATE 2005/11/22

THIS INFORMATION IS CONFIDENTIAL AND IS DISCLOSED TO YOU ON CONDITION THAT NO FURTHER DISCLOSURE IS MADE BY YOU TO OTHER THAN LTW PERSONNEL WITHOUT AUTHORIZATION FROM LTW CORP.