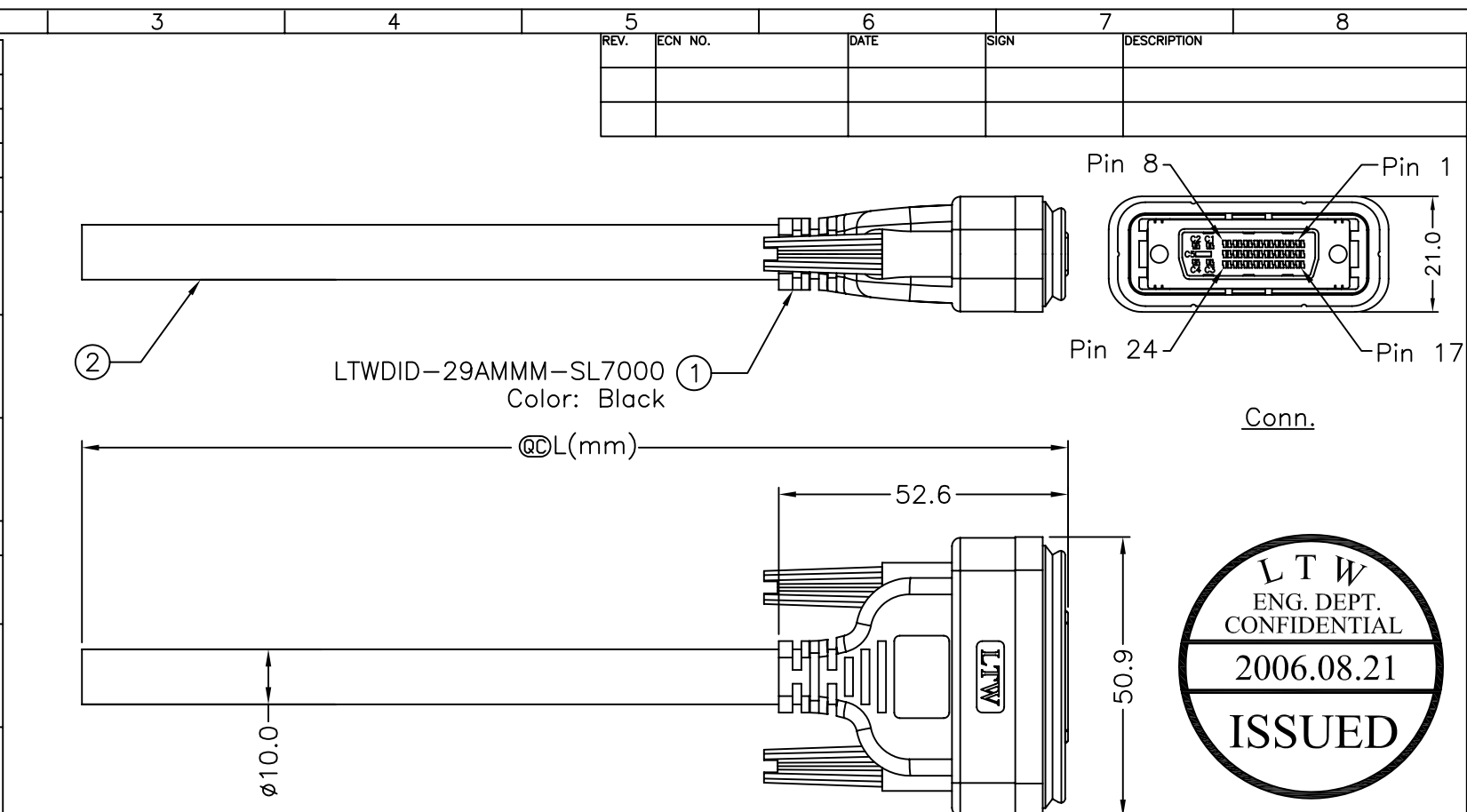


THIS INFORMATION IS CONFIDENTIAL AND IS DISCLOSED TO YOU ON CONDITION THAT NO FURTHER DISCLOSURE IS MADE BY YOU TO OTHER THAN LTM PERSONNEL WITHOUT AUTHORIZATION FROM LTM CORP.

1		2		3		4		5		6		7		8
C5	Pink	4												
C4	White	4												
C3	Blue	1												
C2	Green	1												
C1	Red	1												
24	White													
23	Yellow	2												
22	Drain													
21	Orange													
20	White	2												
19	Drain													
18	Black	2												
17	White													
16	Green	4												
15	Orange													
14	Yellow	3												
13	Blue													
12	White	2												
11	Drain													
10	Green	2												
9	White													
8	Red	4												
7	Brown	4												
6	Black	4												
5	Red													
4	White	2												
3	Drain													
2	Brown	2	Type 4	1C										
1	White		Type 3	1P										
Conn.	Wire Color	Wire Type	Type 2	1P+D+AL+MY										
	Pin Out		Type 1	Coax										
				Wire Type										



NOTE:

- * Waterproof Rate : IP67
- * @L Important Dimension To Check.
- * Housing : Black,ABS
- * Pin : Copper Alloy,Gold Plated
- * Gasket : Black,EPDM
- * SCREW : Steel,Nickel Plated
- * Cable: UL20276 3Coax(S)+(1P*28#+D+Al+Mylar)
*7C+(1P+6C)*28#+AL+B, Black, OD=10mm
- * Cable Length Tolerance: 1M~5M±5%mm,

LTWDID-29AMMM-SL7AXX
 XX:01-05Meters
 01:01Meter
 02:02Meters
 :
 :
 05:05Meters
 Cable Length (L):01~05Meters



UNIT:mm		TITLE
TOLERANCE	±0.5 mm	DID 24+5 M Pin M Conn 180
SCALE	Free	SHEET 1 OF 1
REV.	A	SIZE A4
		QC :Inspection Item

LTW
Allconnectors
www.allconnectors.eu | info@allconnectors.eu
 Tel. +49 (0)711 / 358 110 20 | Fax +49 (0)711 / 358 110 25

ITEM NO	DRAWN BY	DATE
DWG NO	CHECKED BY	DATE
CUSTOMER	APPROVED BY	DATE
	DAVID SHIH	2006/08/17
LTWDID-29AMMM-SL7AXX	SIMON HUNG	2006/08/17
	MAX HUNG	2006/08/17