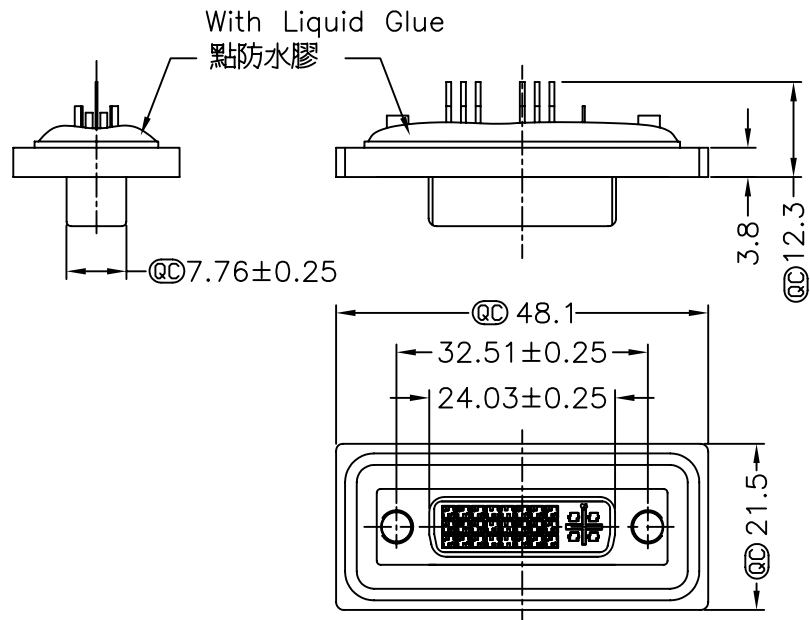
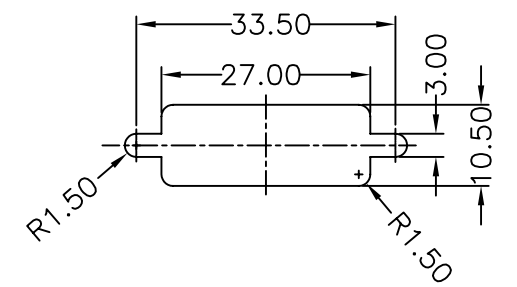


REV.	ECN NO.	DATE	SIGN	DESCRIPTION
A		2006/03/22	DAVID	Released Rev.A

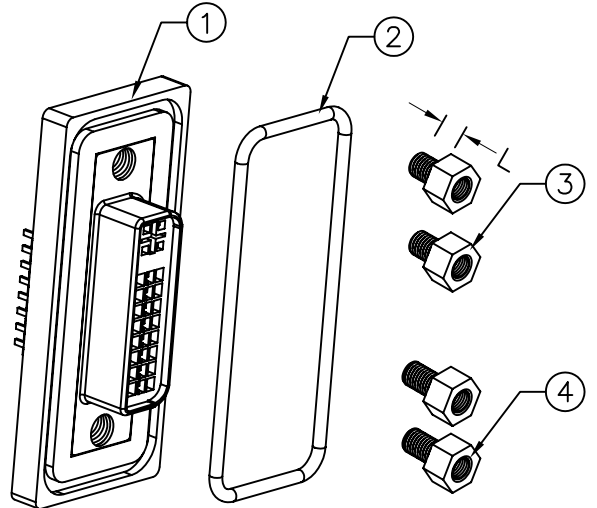


Screw L=5.0 For Panel Thickness Under 1.2mm  
適用板厚為1.2mm以下

Screw L=6.0 For Panel Thickness Between 1.2~2.0mm  
適用板厚為1.2~2.0mm



Recommended Panel Cut-Out  
建議挖孔尺寸



- Note:
- \* Waterproof Rate : IP68  
IP68:1M of depth of water 24 hours  
( 防水等級 IP68 )  
( IP68:1米水深 24小時 )
  - \* @C Important Dimension.  
( @C 為重點尺寸 )
  - \* Do Mating Test After Glued  
點膠後, 須作對插測試
  - \* DVI Ass'y : Black Core
  - \* Gasket : Light Blue, Silicone
  - \* Screw : Nickel Plated, #4-40 UNC

UNIT:mm	
TOLERANCE	
.X	±0.25
.XX	±0.1
.XXX	±0.05
ANGLES	±1°

TITLE	
Female DVI Connector(18+1)	
SCALE	FREE
SHEET	1 OF 1
REV.	A
SIZE	A4
@C : Inspection Item	

**LTW**  
**All connectors**

www.allconnectors.eu | info@allconnectors.eu  
Tel. +49 (0)711 / 358 110 20 | Fax +49 (0)711 / 358 110 25

ITEM NO	LTWDDS-19PFFS-SL8001
DWG NO	LTWDDS-19PFFS-SL8001
CUSTOMER	

DRAWN BY	DAVID SHIH
CHECKED BY	SIMON HUNG
APPROVED BY	CALVIN

DATE	2006/03/27
DATE	2006/03/27
DATE	2006/03/27

THIS INFORMATION IS CONFIDENTIAL AND IS DISCLOSED TO YOU ON CONDITION THAT NO FURTHER DISCLOSURE IS MADE BY YOU TO OTHER THAN LITW PERSONNEL WITHOUT AUTHORIZATION FROM LITW CORP.