

4

3

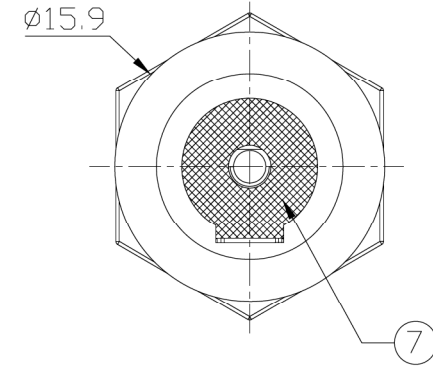
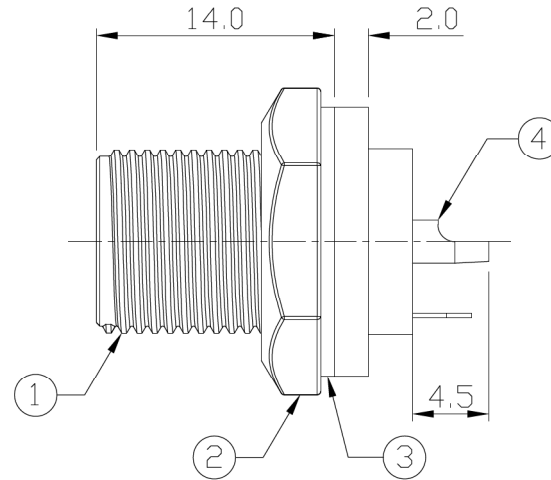
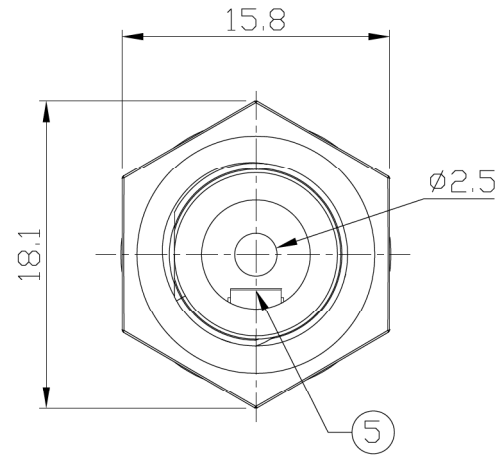
2

1

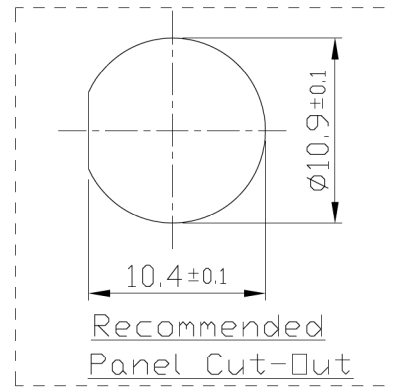
Notes: (Unless Otherwise Specified)


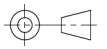
1. Waterproof Rate : IPX7.
2. Panel Thickness : 0.8 to 4.0 mm.
3. Hex Nut Torque: 2.5~3 Kgf-cm Tightening Torque.
4. Matching Cap P/N :G11C513122.
5. RoHS Compliance.

REV	ECN#	DESCRIPTION OF REVISION	
A0		Mass Production	043010



Item	Part Name	Material/Finish	Q'ty
1	Housing	Thermal Plastic Color: Black	1
2	Hex Nut	Thermal Plastic Color: Black	1
3	Gasket	Silicone Color: Black	1
4	Contact	Copper Alloy Finish: Ni Plated	1
5	Terminal	Copper Alloy Finish: Ni Plated	1
6	Glue	Epoxy Color: Black	



METRIC			
DRAFTER Lucas	DATE 05/03/10	 www.allconnectors.eu Info@allconnectors.eu Tel. +49 (0)711 / 358 110 20 Fax +49 (0)711 / 358 110 25	
APPROVED Ray	DATE 05/03/10		
DIMENSIONS ARE IN MILLIMETER TOLERANCES		TITLE	
XX ±0.5 X.XX ±0.20 X.XXX ±0.05 ANGLES ±2° DO NOT SCALE DRAWINGS		DC Jack Panel Mount, 2.5mm Jack Solder, Screw	
		DRAWING NUMBER GT1B0102	REV. A0
UNIT MILLIMETER	SIZE B	SCALE 2:1	SHT 1 OF 1

4

3

2