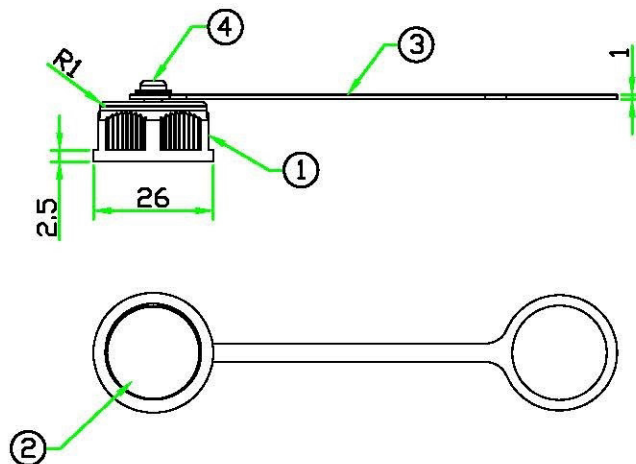
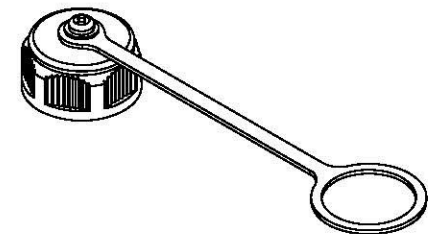
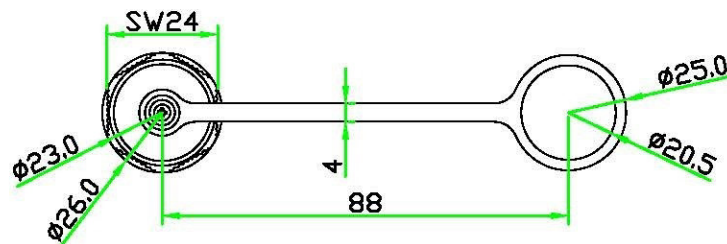
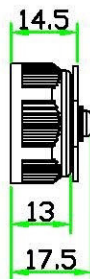
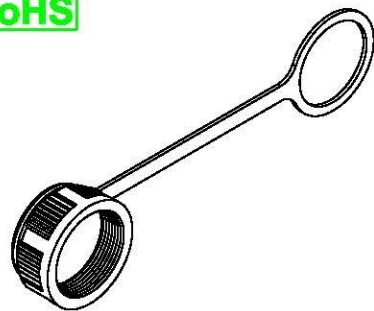


PROPRIETARY AND CONFIDENTIAL  
 THE INFORMATION CONTAINED IN THIS DRAWING IS THE SOLE PROPERTY OF HTP ASIA TECHNOLOGY CO., LTD. .  
 ANY REPRODUCTION IN PART OR AS A WHOLE WITHOUT THE WRITTEN PERMISSION OF HTP ASIA TECHNOLOGY CO., LTD. IS PROHIBITED.

RoHS

REV	DESCRIPTION	DATE
A	ISSUE	Mar/10/2009



No.	PART NAME	DESCRIPTION	COLOR	Q'TY	REMARKS
4	SCREW	STAINLESS STEEL.	BLACK	1	CCP-CAP-S3x8B
3	CHAIN	SANTOPRENE.	BLACK	1	CAP CHAIN-B (59-136)
2	GASKET	SANTOPRENE.	BLACK	1	CCRJUSB-G
1	SCREW CAP	NYLON+GF.	BLACK	1	CCRJUSBP-WCAP (70-135-N4)

**Allconnectors**  
www.allconnectors.de    info@allconnectors.de  
 Tel.: 0049 711 7005503    Fax: 0049 711 7005504  
 70/94 Hilderstadt, Germany    Kottmarstr. 25

	UNIT: mm	TITLE : WATERPROOF CAP SCREW TYPE WITH PLASTIC CHAIN FOR RJ45 ,C SIZE ,USB PANEL CONNECTOR
SCALE	1:1.5	
UNLESS OTHERWISE SPECIFIED TOLERANCES: * ±0.25    ** ±0.1 *** ±0.05    ANGLE ± 1°		P/N: CCRJUSBP-WCAP-MB
REV. A	SHEET 1/1	
DWC.NO: CCRJUSBP-WCAP-MB		