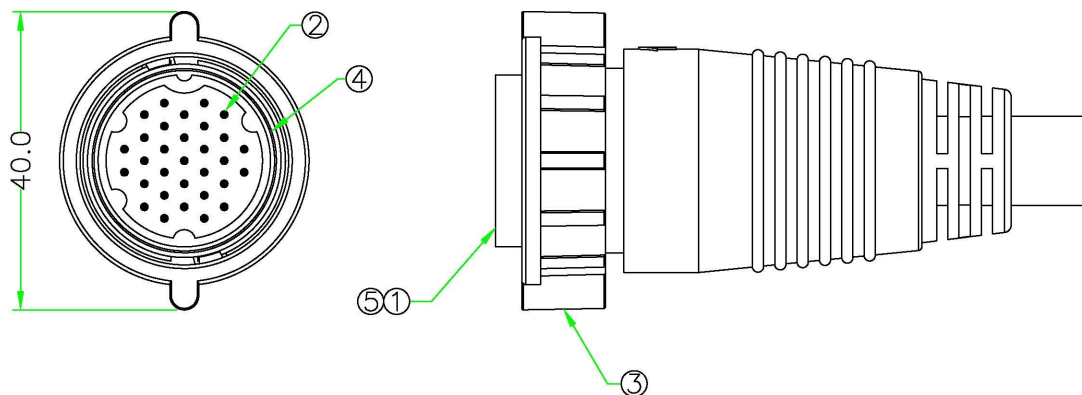
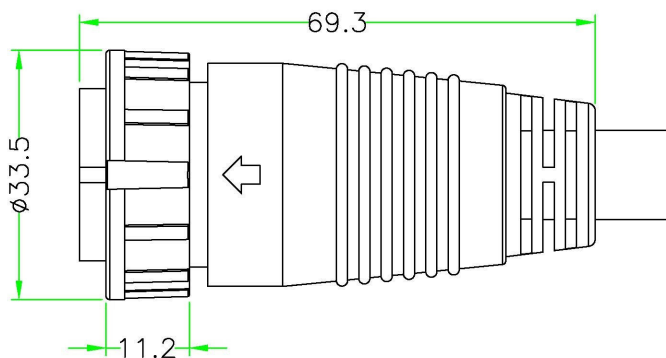
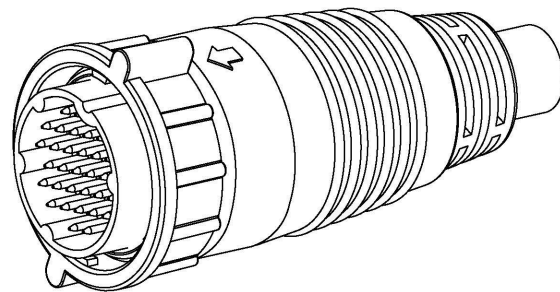


RoHS
IP67



REV.	DESCRIPTION	DATE
A	ISSUE	Sep/15/2010

NOTES:

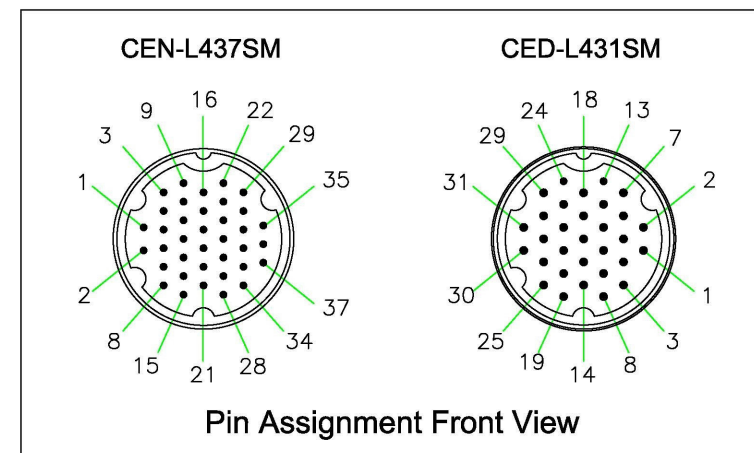
1. ELECTRICAL CHARACTERISTICS:

CURRENT RATING: 2A / 5A
 CONNECTOR TEMPERATURE RANGE: -40°C TO +105°C
 DIELECTRIC WITHSTANDING VOLTAGE:
 500V AC FOR ONE MINUTE

2. HOW TO ORDER: CEx-L4xxSM

31 - 31PIN
 37 - 37PIN

N - CURRENT RATING 2A
 D - CURRENT RATING 5A



All Connectors

www.allconnectors.de info@allconnectors.de
 Tel.: 0049 711 7009503 Fax: 0049 711 7009504
 70794 Filderstadt - Germany Kettnerstr. 25

No.	PART NAME	DESCRIPTION	COLOR	Q'TY	REMARKS
5	GLUE	Glue.	BLACK	1	
4	O-RING	SILICON.	D.BLUE	1	O-2215-SB
3	LOCK NUT	NYLON+GF.	BLACK	1	CEA-LN (138-135)
2	CONTACT	BRASS. Male Pin. 6u" Gold Plated. Solder Cup.		N	
1	CONNECTOR	Circular E Size Connector Insert. NYLON+GF.	BLACK	1	CED-31FMC (45-135-N8-2)

	UNIT: mm	TITLE : Circular E Size Female Connector Male Pin Lock type Solder Bucker All Plastic Cable Molding Connector	
SCALE	1:1	P/N: CEx-L4xxSM	DR. <i>Jack</i>
UNLESS OTHERWISE SPECIFIED TOLERANCES: x ±0.25 xx ±0.1 xxx ±0.05 ANGLE ± 1gX			CH. <i>STANLEY</i>
REV. A	SHEET 1/1	DWG.NO: CEx-L4xxSM	AP.