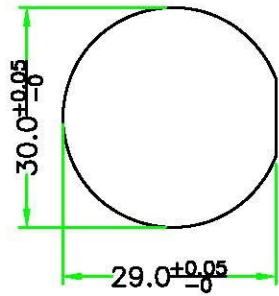
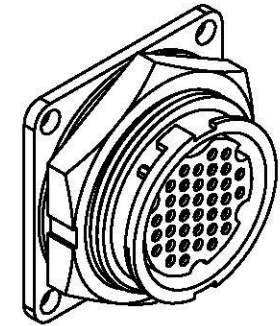
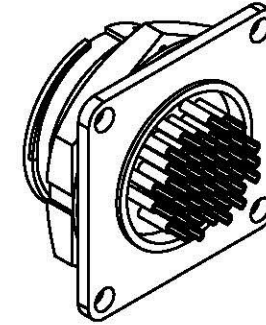
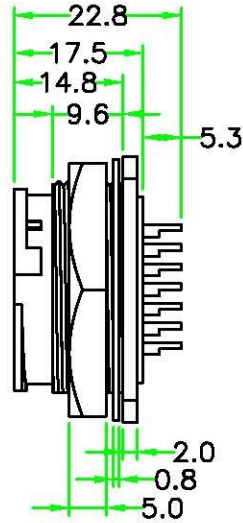


REV.	DESCRIPTION	DATE
A	ISSUE	Dec/01/2011
A1	Correct dimension.	Dec/07/2011



RECOMMENDED
PANEL CUT OFF

RoHS
IP67



NOTES:

1. ELECTRICAL CHARACTERISTICS:

CURRENT RATING: 2A

CONNECTOR TEMPERATURE RANGE: -40°C TO +105°C

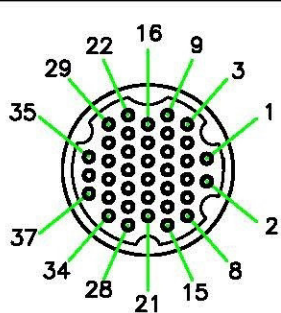
DIELECTRIC WITHSTANDING VOLTAGE:

500V AC FOR ONE MINUTE

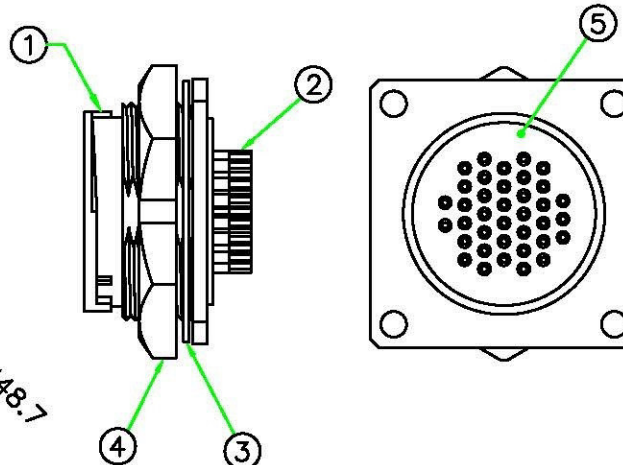
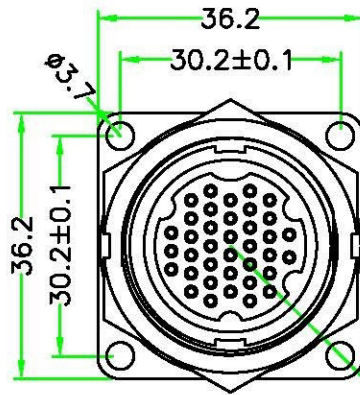
2. HOW TO ORDER: CEN-L337QS

37 - 37PIN

N - CURRENT RATING 2A



PIN ASSIGNMENT
FRONT VIEW



5	Glue	Glue.	BLACK	1	
4	Hex Nut	Nylon+GF.	BLACK	1	CEA-PHNUT (36-135-N1)
3	Gasket	EPDM.	BLACK	1	C18-G
2	Contact	BRASS. 6u" Gold Plated. Solder Cup.		37	M12F-1.0SPL20.5
1	Connector Insert	Nylon+GF.	BLACK	1	CEN-L337C (82-135-N3-1)
No.	PART NAME	DESCRIPTION	COLOR	QTY	REMARKS

		<small>www.allconnectors.de</small> <small>Tel.: 0049 714 700920</small> <small>70794 Filzbergstr. - Germany</small>		<small>info@allconnectors.de</small> <small>Fax: 0049 714 7009204</small> <small>Kettnerstr. 21</small>	
	UNIT: mm	TITLE : Circular E Size 37P Male Connector Female Pin Lock type Square Flange Solder Bucket All Plastic Panel Mount Connector			
SCALE	1:1	P/N:		CEN-L337QS	
UNLESS OTHERWISE SPECIFIED TOLERANCES:		DR. Jack		CH. STANLEY	
X ± 0.25 XX ± 0.1		AP.			
XXX ± 0.05 ANGLE ± 1°		DWC.NO:		CEN-L337QS	
REV.	A1	SHEET	1/1		