

## Specification of connector

### General Characteristics

Locking system	: snap-in
Termination	: crimp moulded
Shell protection	: IP67
Upper temperature	: 105°C
Lower temperature	: -40°C

### Electronical Characteristics

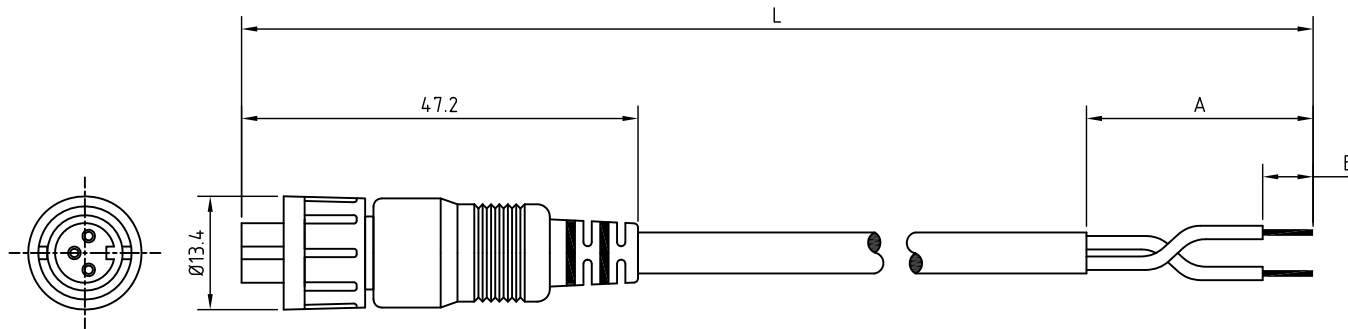
Rated voltage	: 250V
Rated current	: 5A
Contact resistance	: $\leq 10\text{m}\Omega$
Insulation resistance	: $>10\text{M}\Omega$

### Materials

Pin contact	: brass
Contact plating	: gold
Male insert	: PA(nylon)
Ring nut	: PA(nylon)
O-ring	: rubber

## Specification of cable

Matrial Jacket	PVC	PUR
----------------	-----	-----



RoHS  
LEAD FREE

CONTACT ARRANGEMENT FRONT VIEW		
P207F1-XP	2P	3P

**All Connectors**

www.allconnectors.eu | info@allconnectors.eu  
Tel. +49 (0)711 / 358 110 20 | Fax +49 (0)711 / 358 110 25

DATE	10-21-2010	PART NO.	P207F1
DWN	GINA	REV.	0
CHK	KATY		
ITEM	CIRCULAR CONNECTOR TYPE A	UNIT	MM

NOTE: REV.0 NEW