

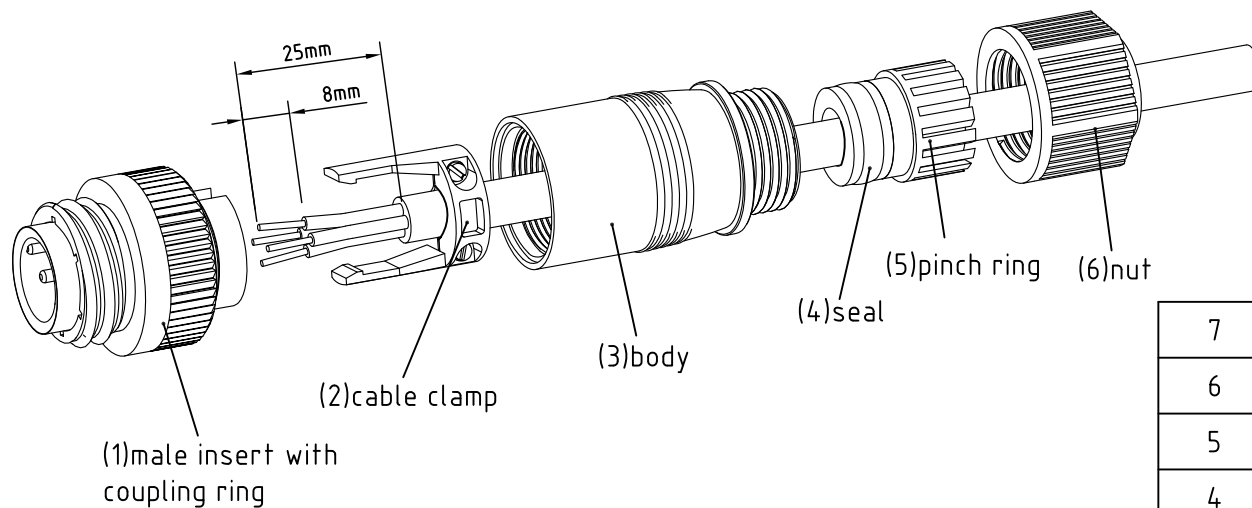
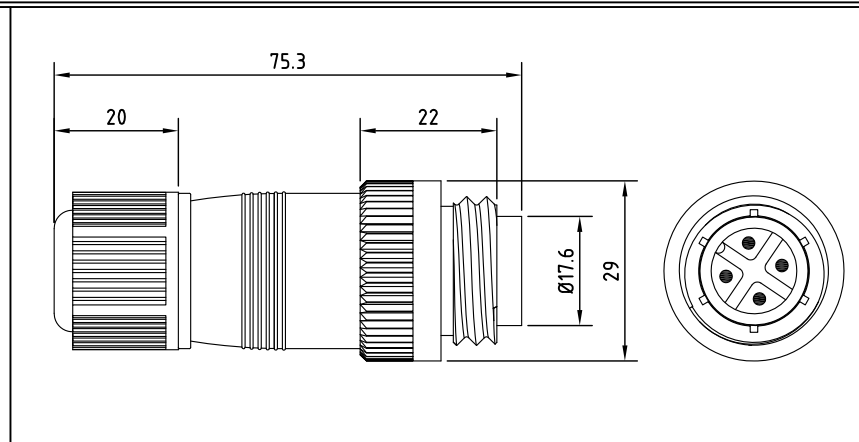
Part No.: 3398-P-04-X

seal
 1-cable OD:7-9mm
 2-cable OD:4-7mm

Specification

General Characteristics
 Locking system: Screw
 Termination: Screw
 Shell protection: IP67
 Upper temperature: 105°C
 Lower temperature: -40°C
 Wire gauge: 20-14

Electrical Characteristics
 Rated Current: 16A
 Rated Voltage: 400V
 Contact Resistance: < 5mΩ
 Insulation Resistance: > 10MΩ



7	terminal	brass	4
6	nut	PA (UL 94V-0)	1
5	pinch ring	PA (UL 94V-0)	1
4	seal	TPR	1
3	body	PA (UL 94V-0)	1
2	cable clamp	PA (UL 94V-0)	1
1	male insert	PA (UL 94V-0)	1
Item	Description	Material	Q'TY

RoHS
 LEAD FREE

All Connectors

www.allconnectors.eu | info@allconnectors.eu
 Tel. +49 (0)711 / 358 110 20 | Fax +49 (0)711 / 358 110 25

DATE	04-21-2011	PART NO.	3398-P-04-X
DWN	GINA	REV.	0
CHK	KATY		
ITEM	In-Field Installable Circular Connector	UNIT	MM

NOTE: REV.0 NEW