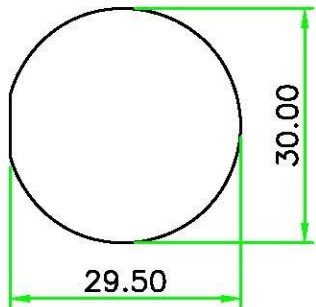
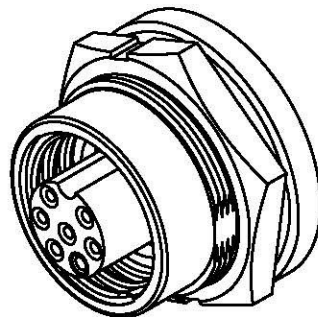
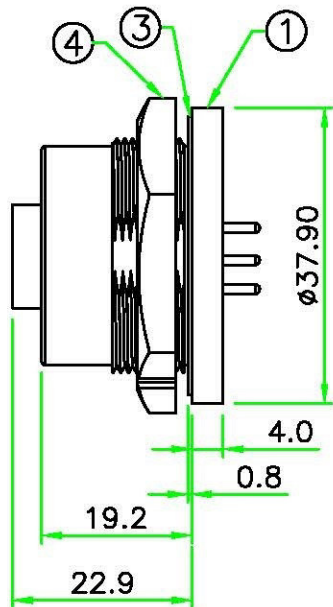
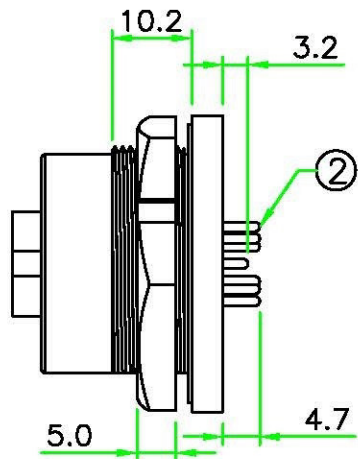
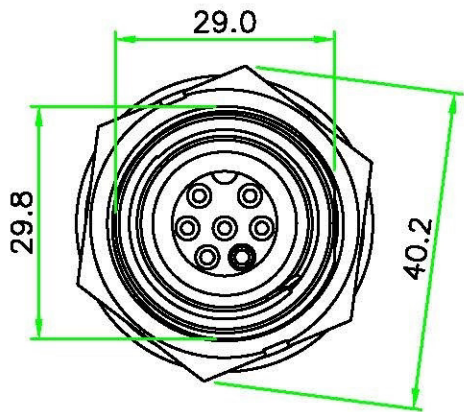


REV	DESCRIPTION	DATE
A	ISSUE	05/15/2006



RECOMMENDED
PANEL CUT-OUT

RoHS
IP67



NOTES:

1. ELECTRICAL CHARACTERISTICS:

CURRENT RATING: 10A

CONNECTOR TEMPERATURE RANGE: -40°C TO +105°C

DIELECTRIC WITHSTANDING VOLTAGE:

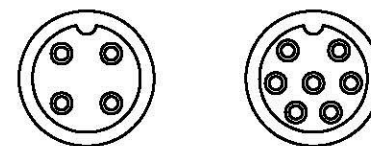
500V AC FOR ONE MINUTE

2. HOW TO ORDER: CPP-P2xxCPL

04 - 4PIN

07 - 7PIN

P - CURRENT RATING 10A



CPP-P204CPL CPP-P207CPL

All Connectors

www.allconnectors.de
Tel.: 0049 711 7009503
70704 Filderstadt - Germany

info@allconnectors.de
Fax: 0049 711 7009504
Kettnerstr. 25

4	HEX NUT	NYLON+GF. .	Black	1
3	GASKET	EPDM 70 , RoHS .	Black	1
2	CONTACT	BRASS, silver or gold plated.		N
1	BODY	NYLON + GF	Black	1
NO.	DESCRIPTION		COLOR	Q'TY

	UNIT: mm	TITLE	CIRCULAR P SIZE FEMALE SCREW TYPE ROUND FLANGE PCB PANEL MOUNT LONG BODY
SCALE	1:1		
UNLESS OTHERWISE SPECIFIED TOLERANCES:		P/N:	CPP-P2xxCPL
x ± 0.2	xx ± 0.1		
xxx ± xxx	ANGLE ±		DR. <i>jaex</i>
REV. A	SHEET 1/1	DWG.NO:	CPP-P2xxCPL
			CH. <i>Stanley</i>
			AP.