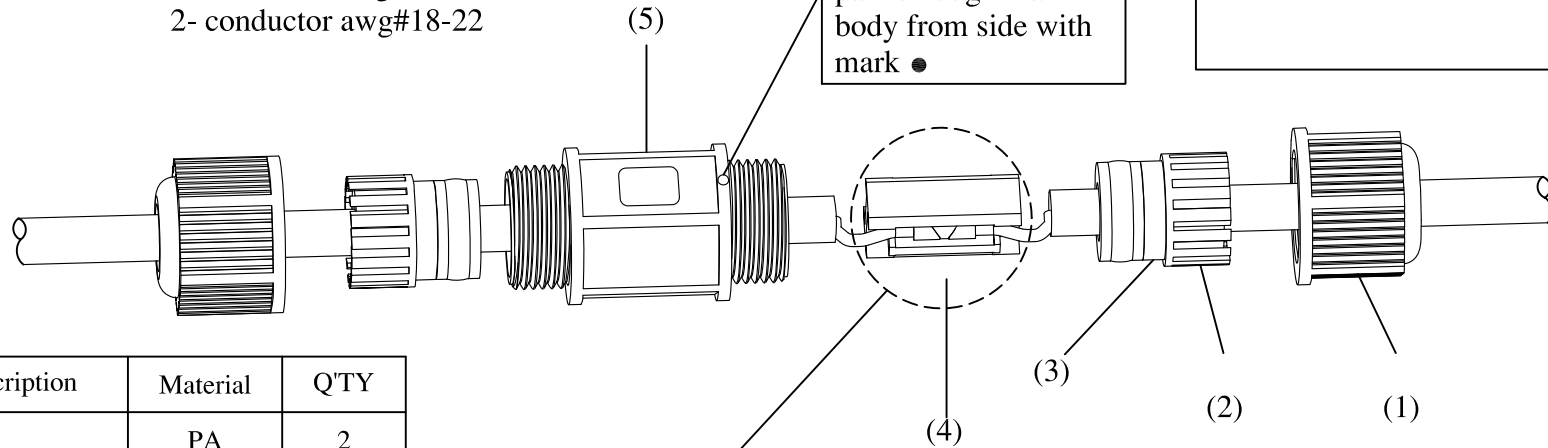
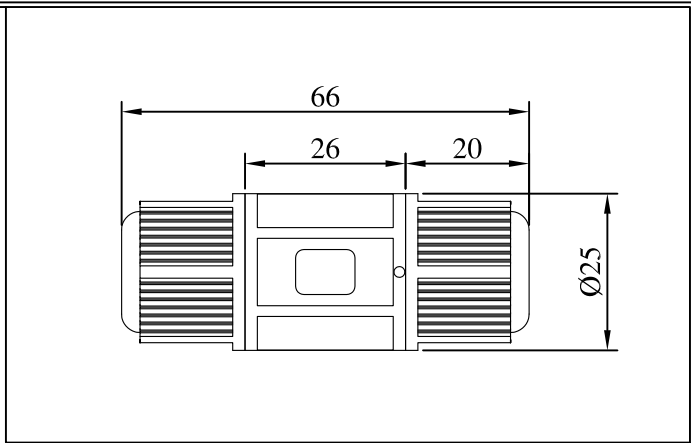


Part No.: UT-2981-X-X

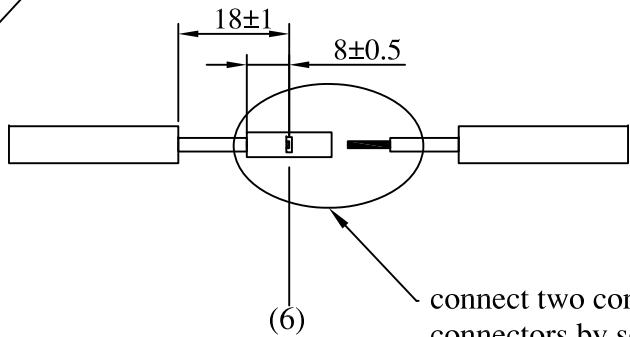
- seal
  - 1- cable OD:7-9mm
  - 2- cable OD:4-7mm
- contact partition
  - 1- conductor awg#14-16
  - 2- conductor awg#18-22

Please note  
contact partition must  
pass through main  
body from side with  
mark ●



Item	Description	Material	QTY
1	Nut	PA	2
2	Pinch ring	PA	2
3	Seal	TPR	2
4	Contact partition	ABS	1
5	Main body	PA	1
6	Non-insulated butt connectors	Copper tube	4

Cable preparation



connect two conductors by non-insulated butt connectors by solder or crimp method

RoHS  
LEAD FREE  
TOLERANCE ±0.5 UNLESS SPECIFIC



www.allconnectors.eu | info@allconnectors.eu  
Tel. +49 (0)711 / 358 110 20 | Fax +49 (0)711 / 358 110 25

DATE	04-21-2011	PART NO.	2981-X-X
DWN	GINA	REV.	1
CHK	KATY		
ITEM	CABLE JOINER	UNIT	MM

NOTE: REV.0 NEW;REV.1