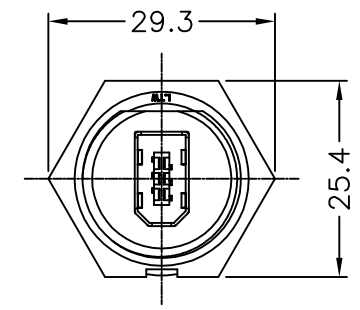
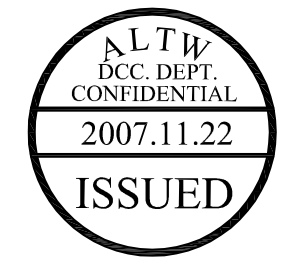
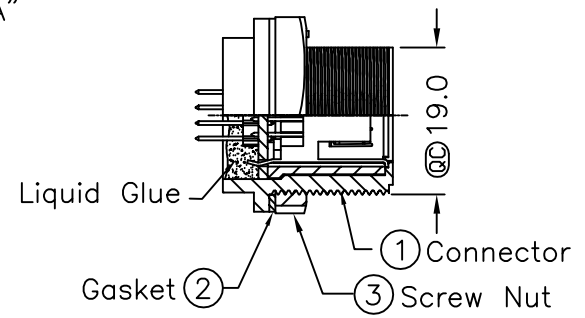
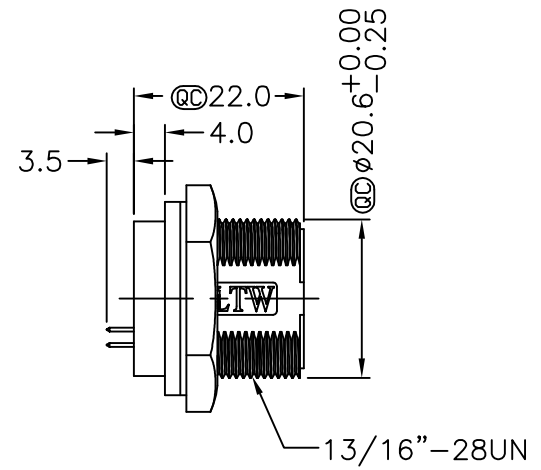
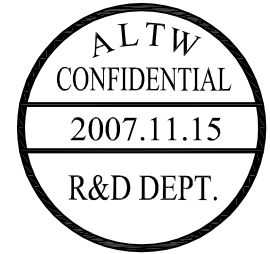
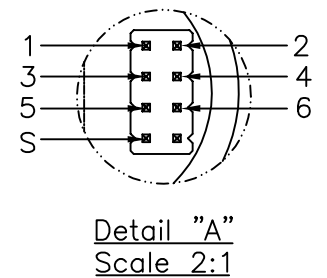
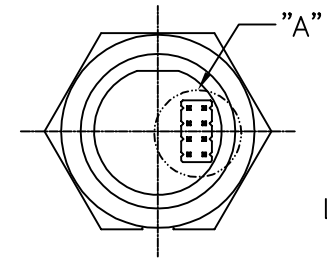
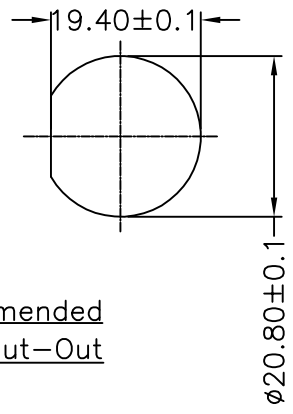
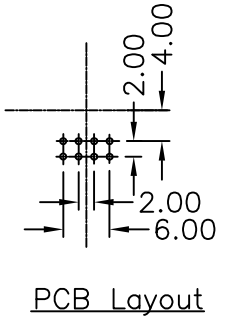
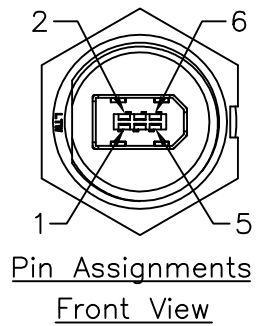


| | | | |
|--------|--------------------|-----------------|------------------------------------|
| 5 | 6 | 7 | 8 |
| REV. B | ECN NO. LEN-7B0146 | DATE 2007/11/15 | SIGN Gao Ling |
| | | | DESCRIPTION Modify Panel Thickness |

THIS DOCUMENT IS SUBJECT TO CHANGE WITHOUT NOTICE. IT IS CONFIDENTIAL AND A PROPERTY OF Amphenol LTW. DISCLOSURE TO THIRD PARTY HAS TO BE AUTHORIZED BY Amphenol LTW.



- Note:
- * @C Important Dimension.
 - * Waterproof Rate: IP68
 - * Conn.: IEEE 1394 6 Pin Female, Gold Plated.
 - * Housing: ABS, Black.
 - * Gasket: EPDM, Black.
 - * Screw Nut: Nylon+GF, Black.
 - △* Use with waterproof cap or dust cap
For Panel Thickness Max: 2.8mm
 - △* Use without waterproof cap or dust cap
For Panel Thickness Max: 4.0mm

| | | | | | | | |
|---------------------------------------------------------------|---|---------------------------------|---------------------|------------------------------------------------------------------------------------------------------------|-----------------------------|----------------------|--------------------|
| UNIT:mm | | TITLE IEEE 1394 M Conn F Pin | Amphenol LTW | | ITEM NO 13-AAPMFP-SC8001 | DRAWN BY Gao Ling | DATE 2007/11/15 |
| TOLERANCE .X ±0.25 .XX ±0.1 .XXX ±0.05 ANGLES ±1° | | SCALE Free | SHEET 1 OF 1 | All connectors | DWG NO 13-AAPMFP-SC8001 | CHECKED BY Jill | DATE 2007/11/19 |
| | | REV. B | SIZE A4 | www.allconnectors.eu info@allconnectors.eu Tel. +49 (0)711 / 358 110 20 Fax +49 (0)711 / 358 110 25 | CUSTOMER ALTW | APPROVED BY Lion | DATE 2007/11/20 |
| 1 | 2 | 3 | 4 | 5 | 6 | 7 | 8 FMWIO702-01-01A2 |